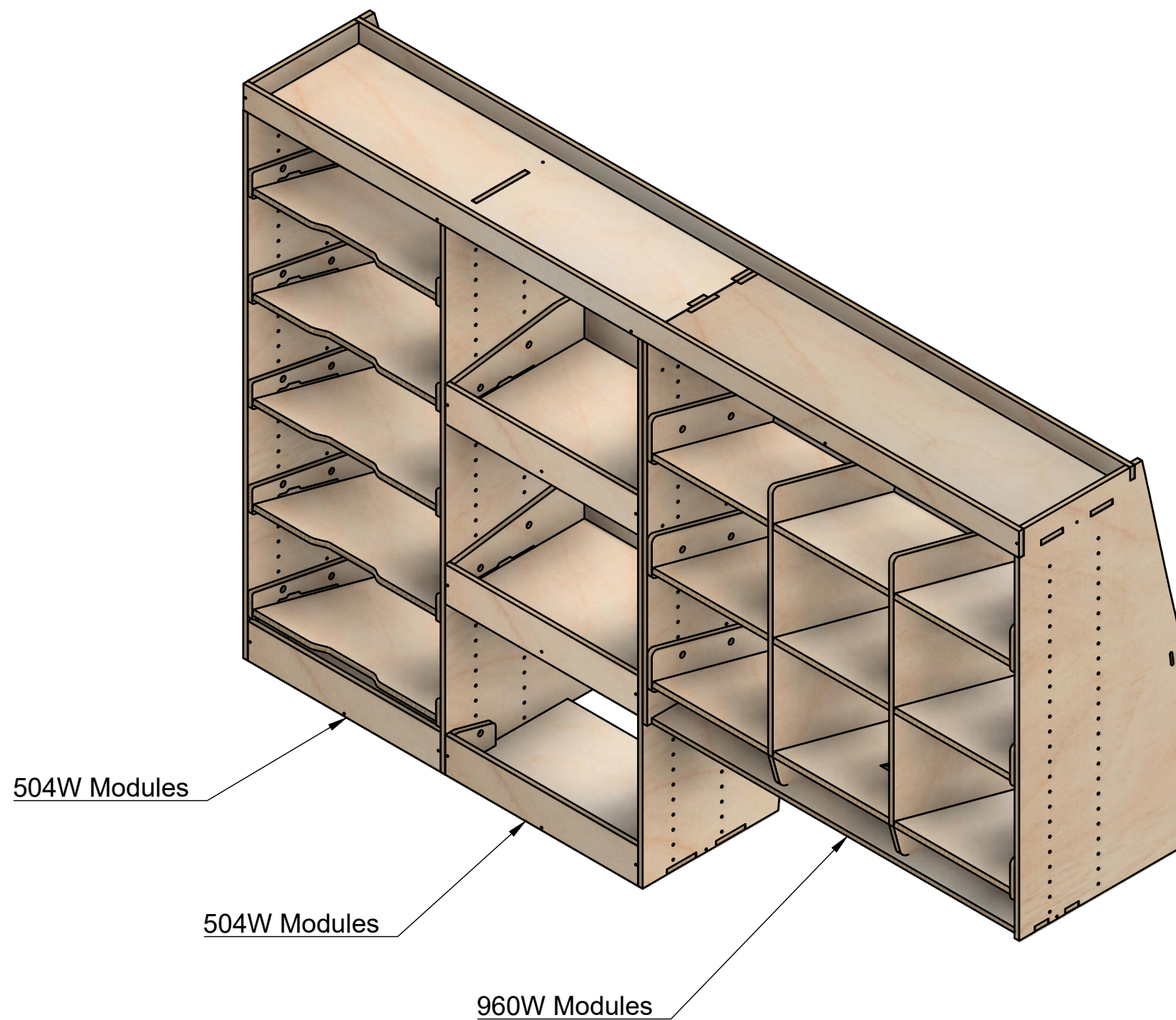


Combo No.9 | HLFF 374mm

SKU: FDCU_13-23_L1H1_C9_HF374



Page 1 - Overview

All units in mm

Plywood thickness = 12mm

Notes

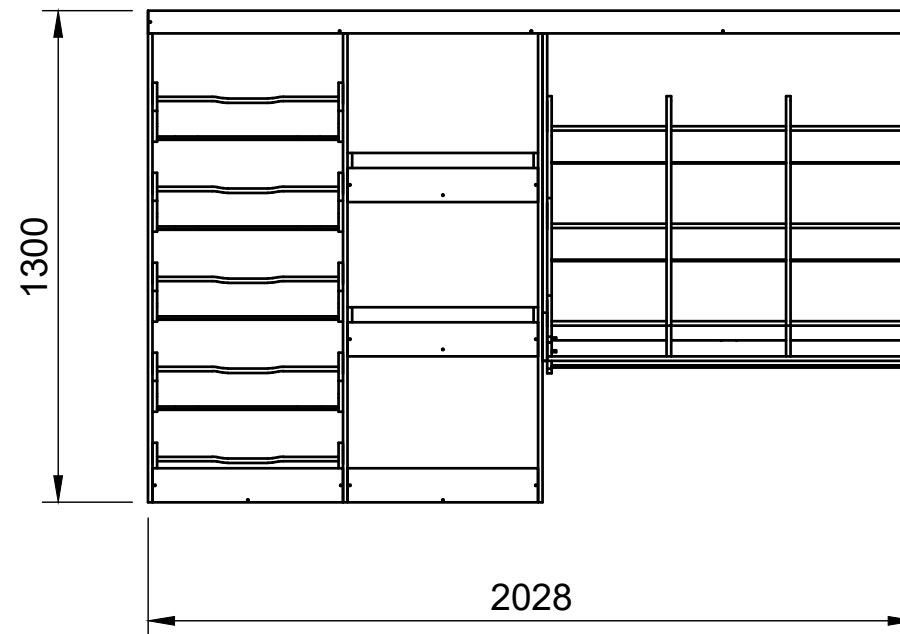
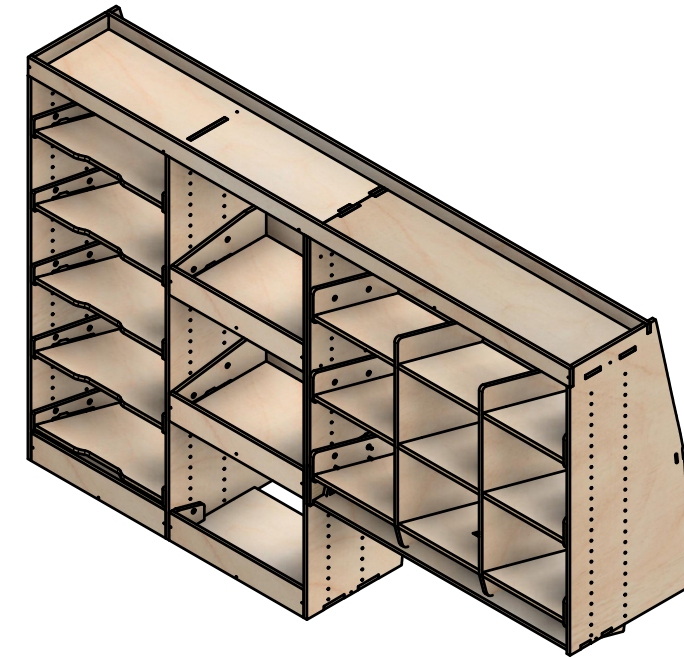
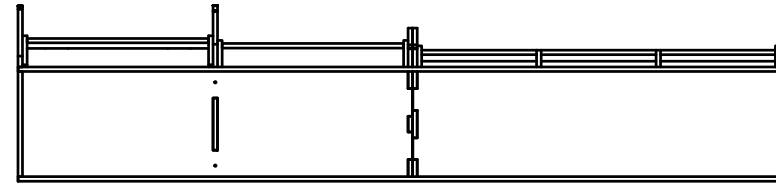
- The spacing of the euro container bays is set. Other modules are adjustable.
- Each section of rack can accept other modules with the same width.
- All dividers are removable.
- This is a Combo No.9 layout that has been adjusted to be paired with one of our half length false floors.

YOKE VANS
info@yoke-van-kits.co.uk
0208 132 9221

© 2023 Yoke CNC LTD

Combo No.9 | HLFF 374mm

SKU: FDCU_13-23_L1H1_C9_HF374



Page 2 - External Dimensions

All units in mm

Plywood thickness = 12mm

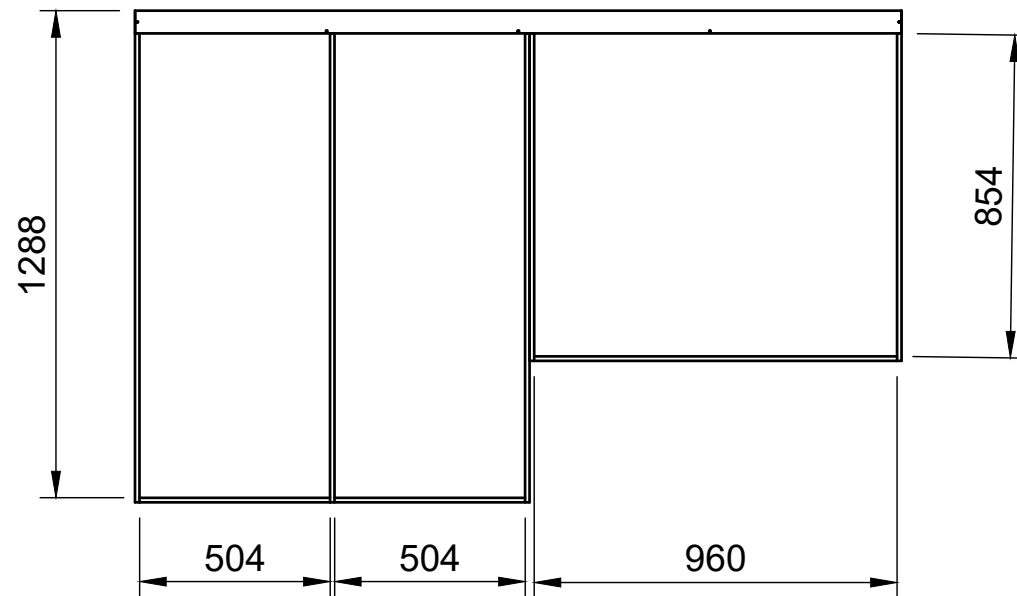
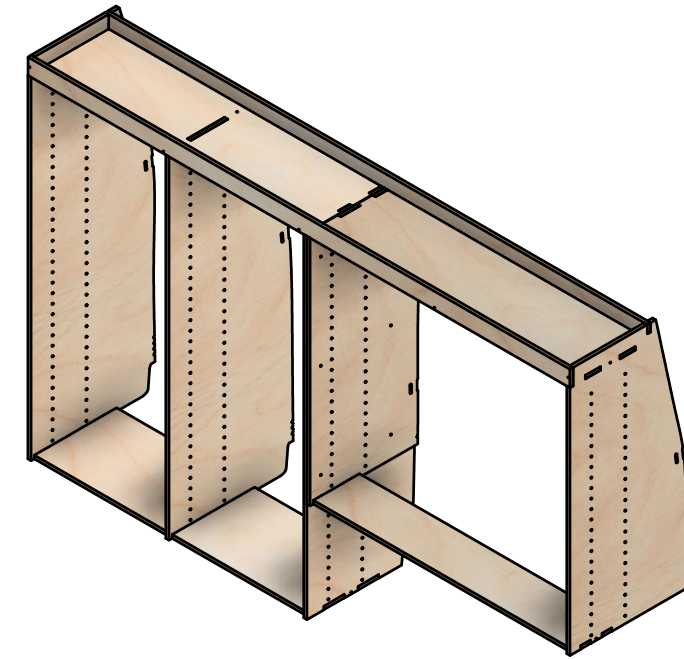
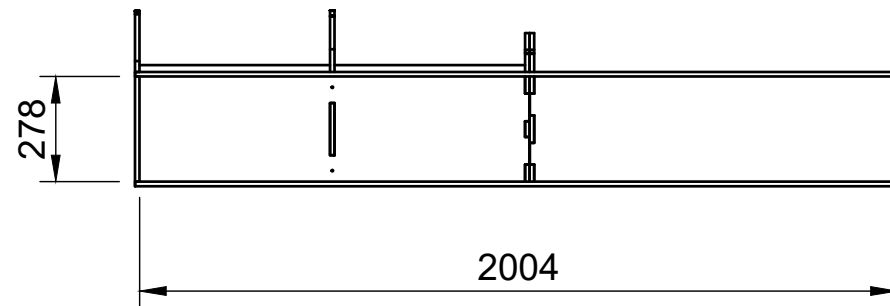
Notes

- All dimensions on this page are external.

YOKE VANS
info@yoke-van-kits.co.uk
0208 132 9221

Combo No.9 | HLFF 374mm

SKU: FDCU_13-23_L1H1_C9_HF374



Page 3 - Internal Dimensions

All units in mm

Plywood thickness = 12mm

Notes

- All Dimensions on this page are internal.
- Each section of rack can accept other modules with the same width.

YOKE VANS
info@yoke-van-kits.co.uk
0208 132 9221

© 2023 Yoke CNC LTD