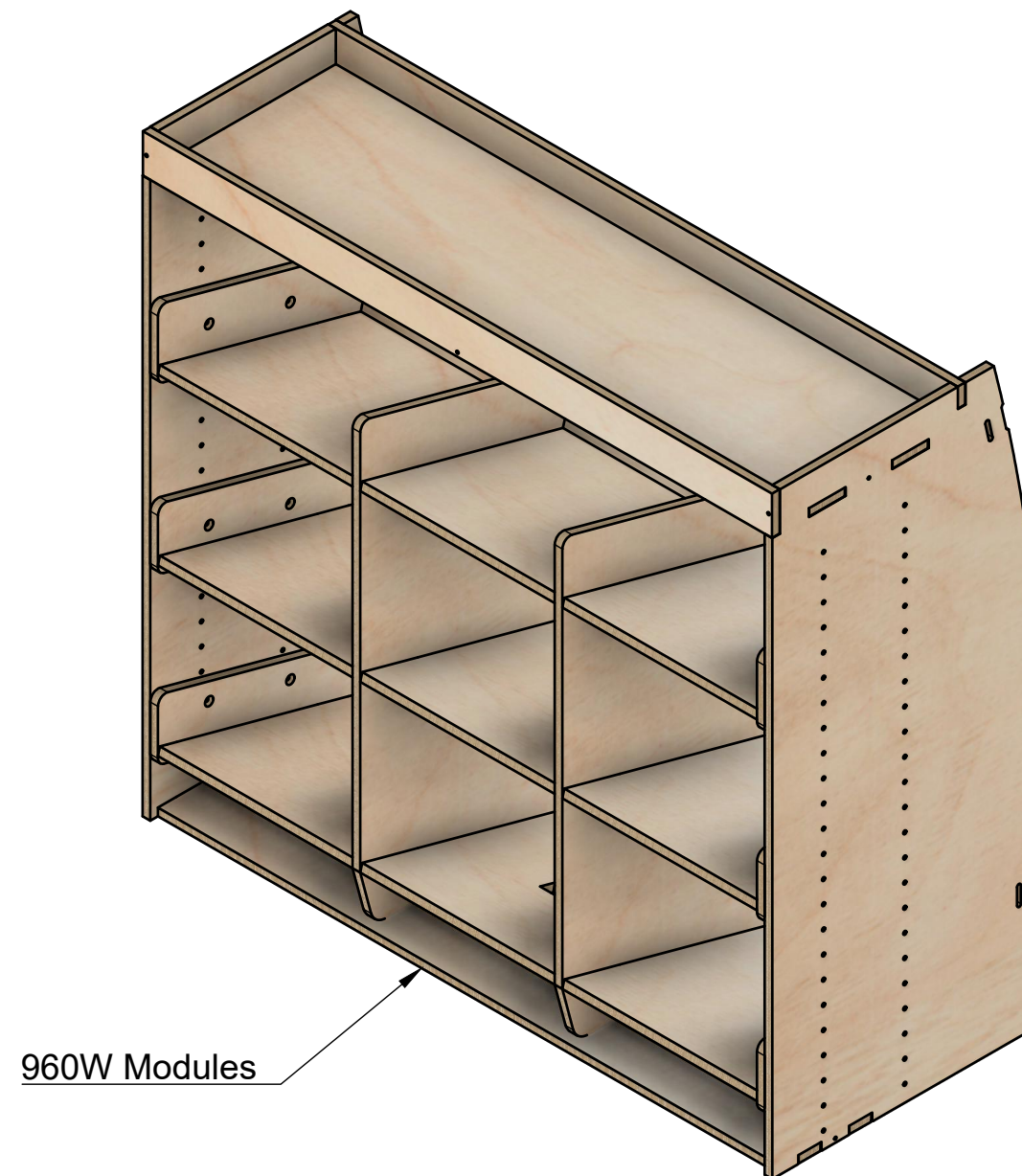


Euro Crate Rack | FF374

SKU: FDCU_13_L1H1_9EO220_PSL_F374



Page 1 - Overview

All units in mm

Plywood thickness = 12mm

Notes

- The Euro Crate Module bays are a set spacing.
- Designed to fit on top of false floors with 374mm total height.

YOKE VANS

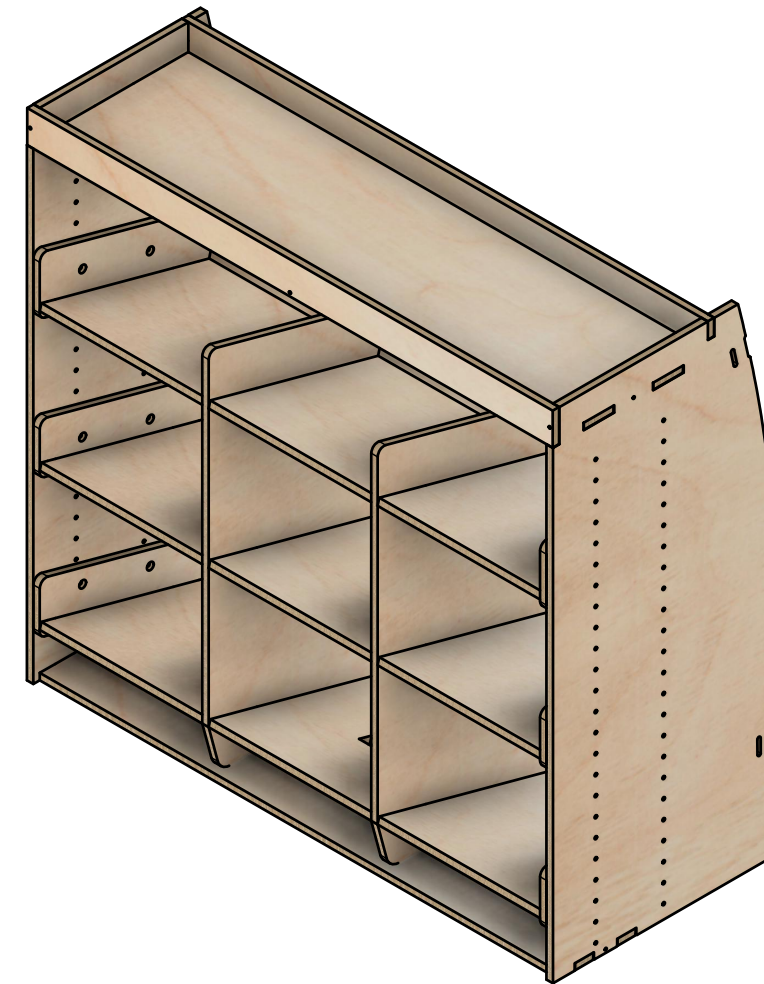
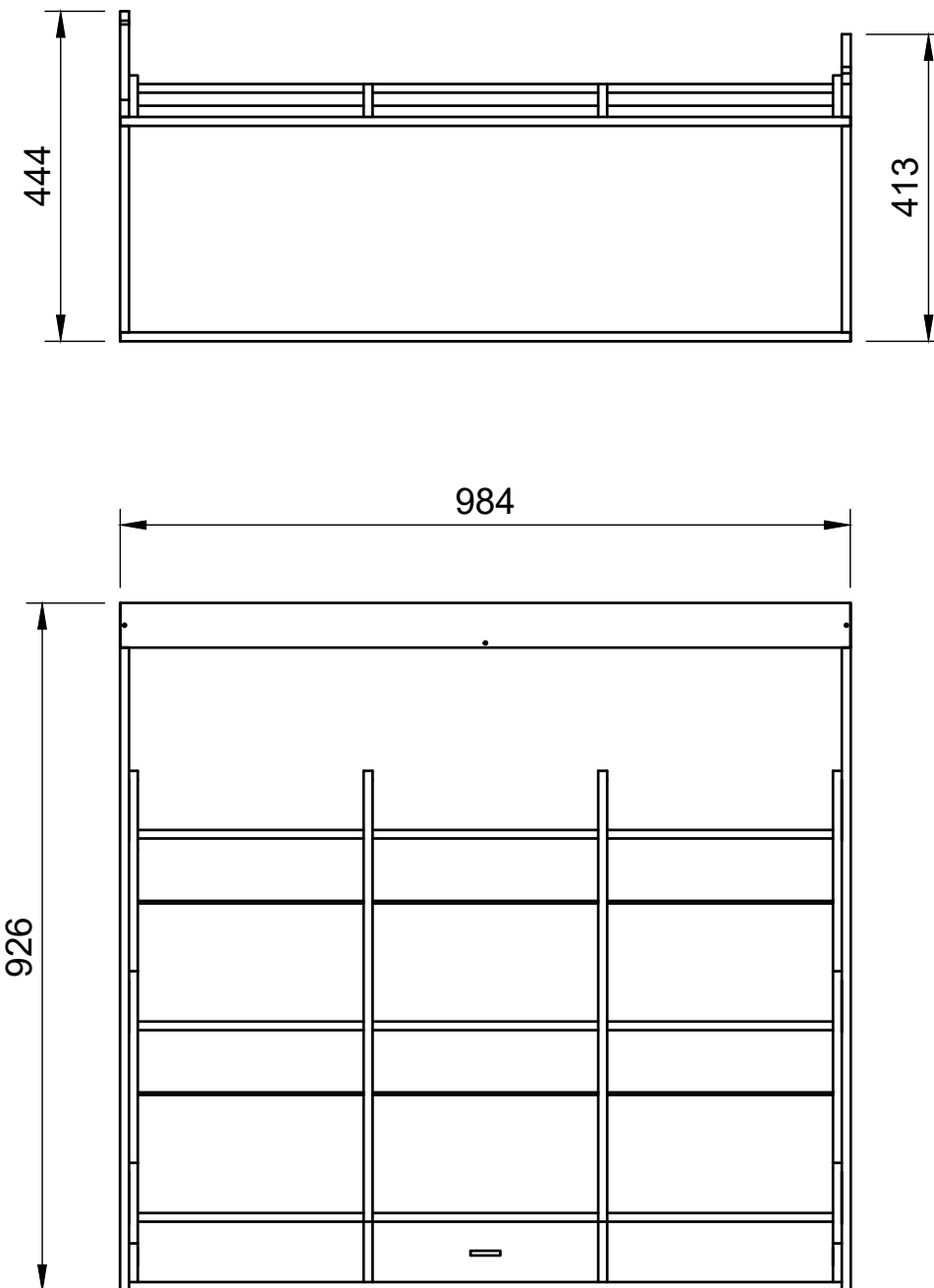
info@yoke-van-kits.co.uk

0208 132 9221

© 2023 Yoke CNC LTD

Euro Crate Rack | FF374

SKU: FDCU_13_L1H1_9EO220_PSL_F374



Page 2 - External Dimensions

All units in mm

Plywood thickness = 12mm

Notes

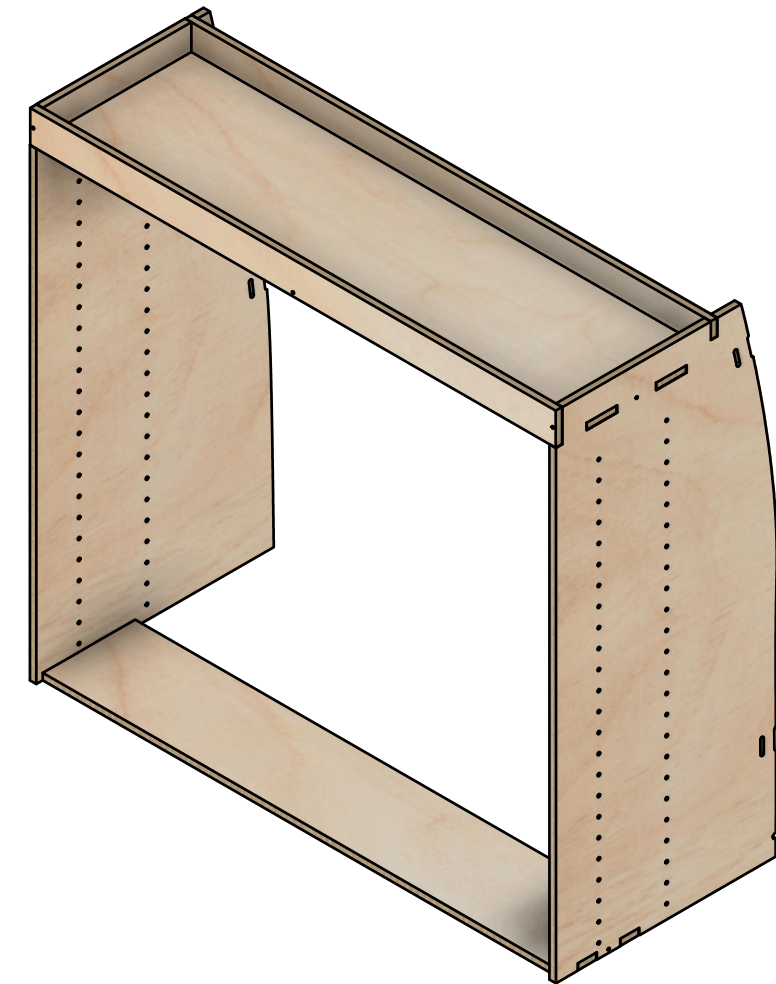
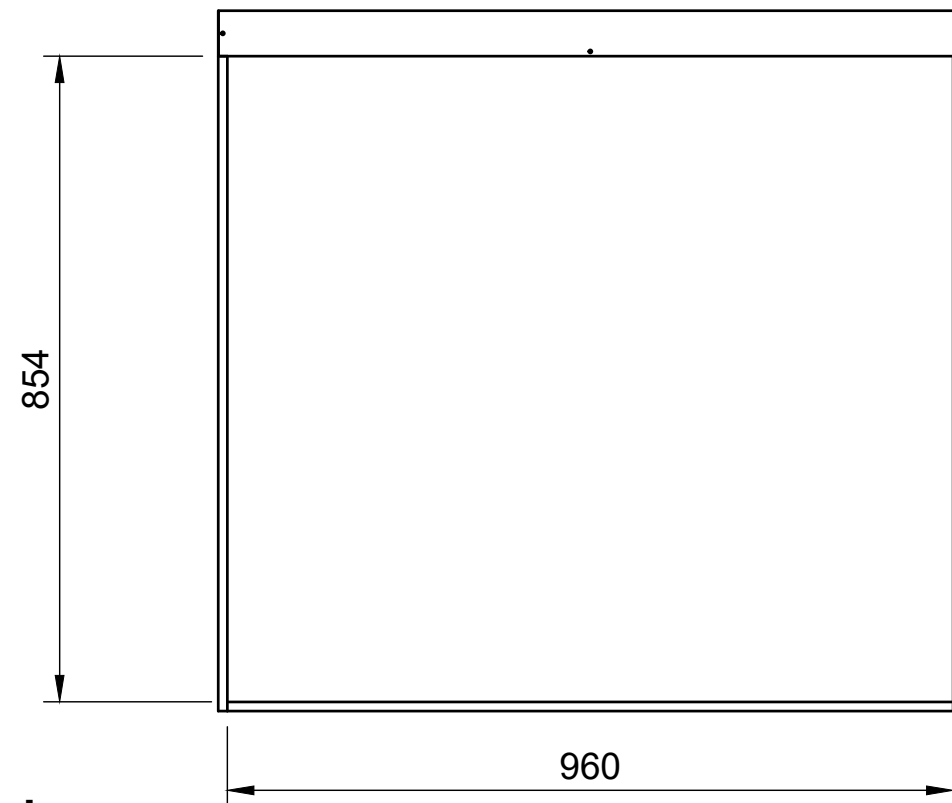
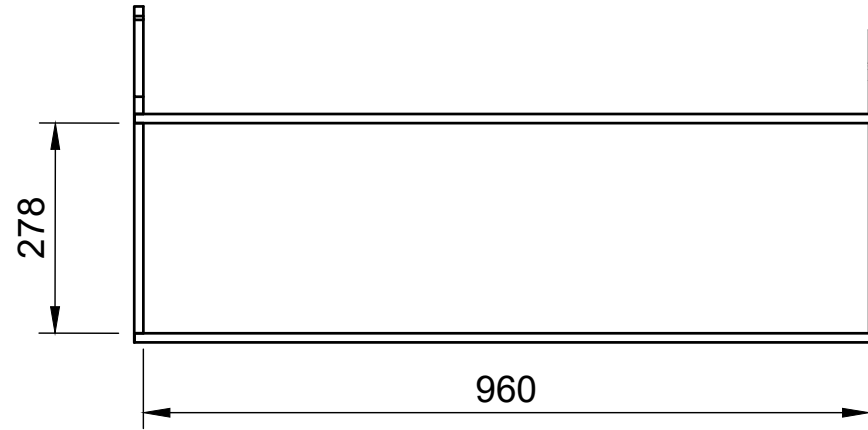
- The dimensions on this page are external.

YOKE VANS
info@yoke-van-kits.co.uk
0208 132 9221

© 2023 Yoke CNC LTD

Euro Crate Rack | FF374

SKU: FDCU_13_L1H1_9EO220_PSL_F374



Page 2 - Internal Dimensions

All units in mm

Plywood thickness = 12mm

Notes

- The dimensions on this page are internal.

YOKE VANS
info@yoke-van-kits.co.uk
0208 132 9221

© 2023 Yoke CNC LTD