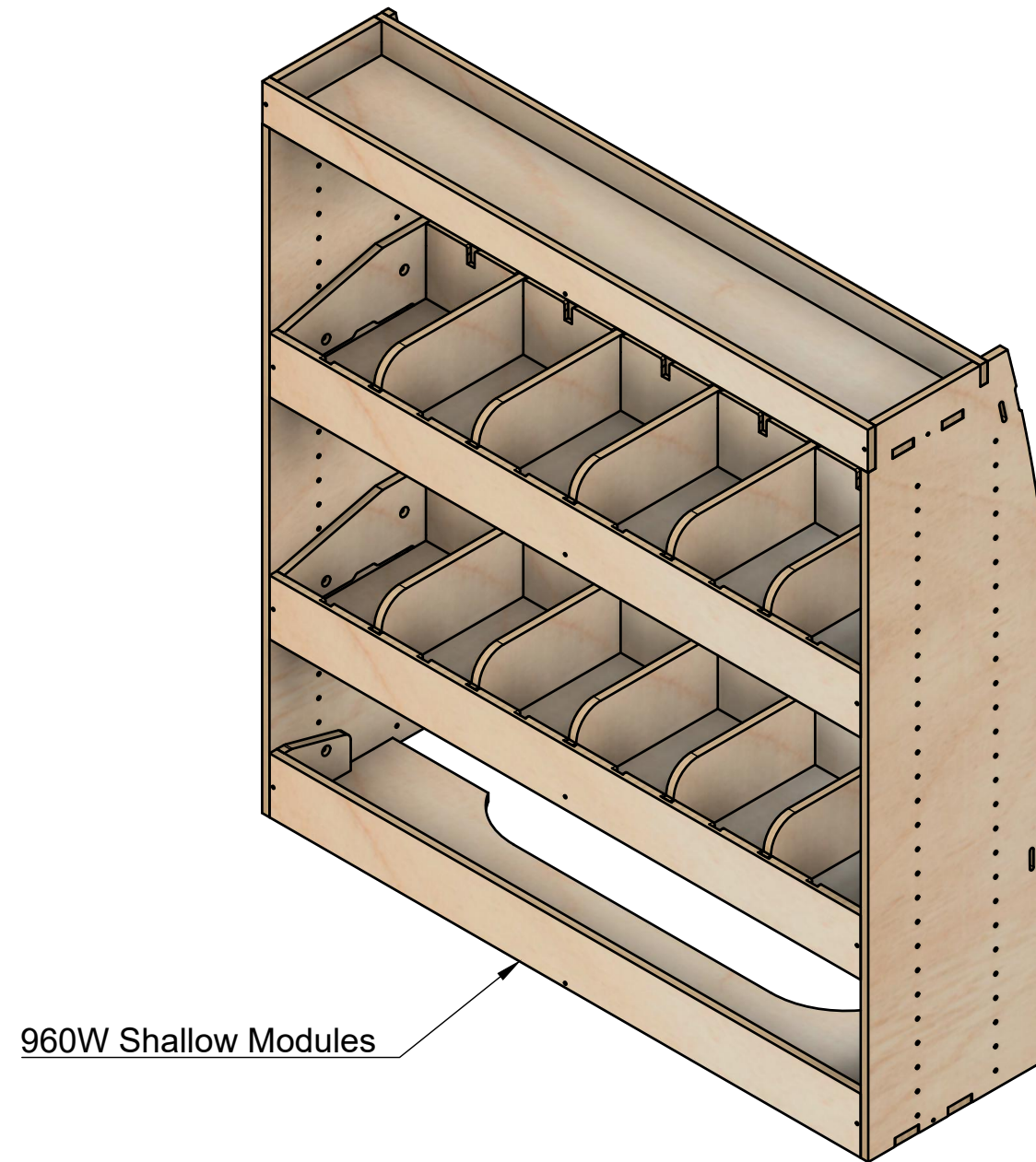


Organiser No.3 | FLFF 272mm

SKU: FDCU_13_L1H1_OG3_PSL_F272



Page 1 - Overview

All units in mm

Plywood thickness = 12mm

Notes

- Organiser modules are adjustable
- All dividers are removable
- This is a shallow rack - does not accept normal depth modules

YOKE VANS

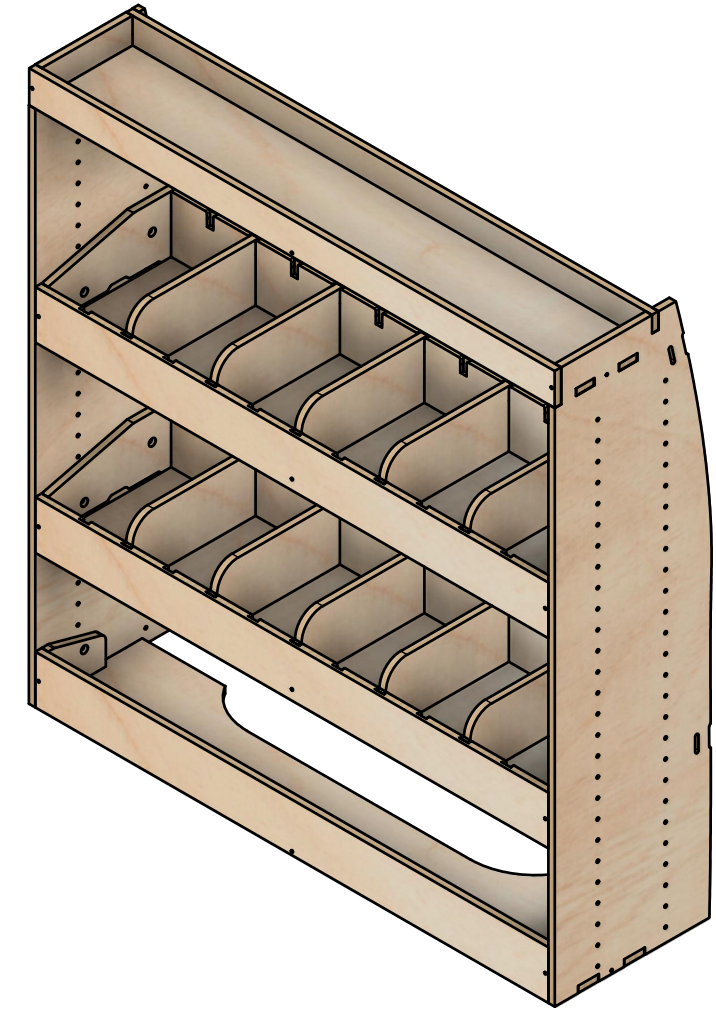
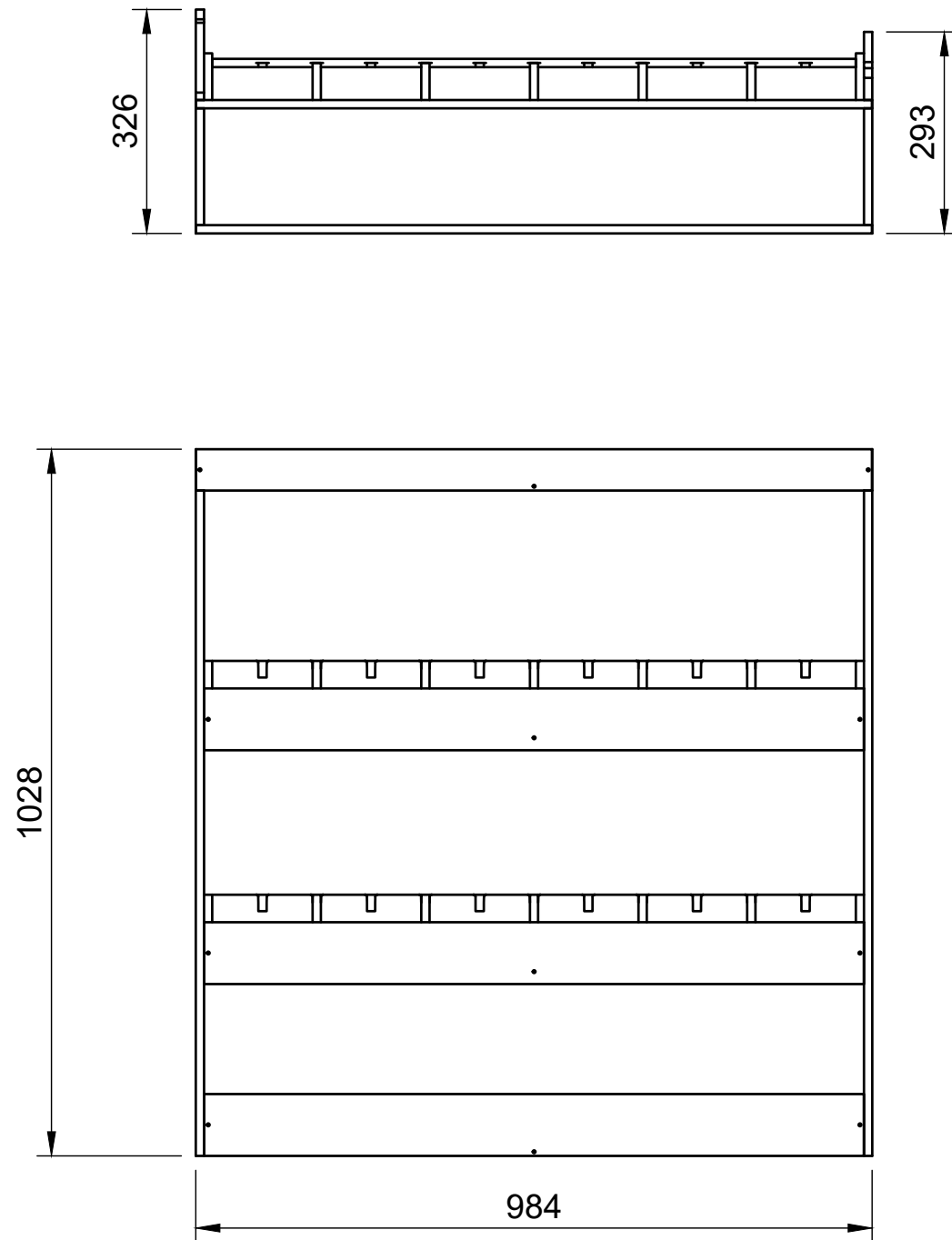
info@yoke-van-kits.co.uk

0208 132 9221

© 2023 Yoke CNC LTD

Organiser No.3 | FLFF 272mm

SKU: FDCU_13_L1H1_OG3_PSL_F272



Page 2 - External Dimensions

All units in mm

Plywood thickness = 12mm

Notes

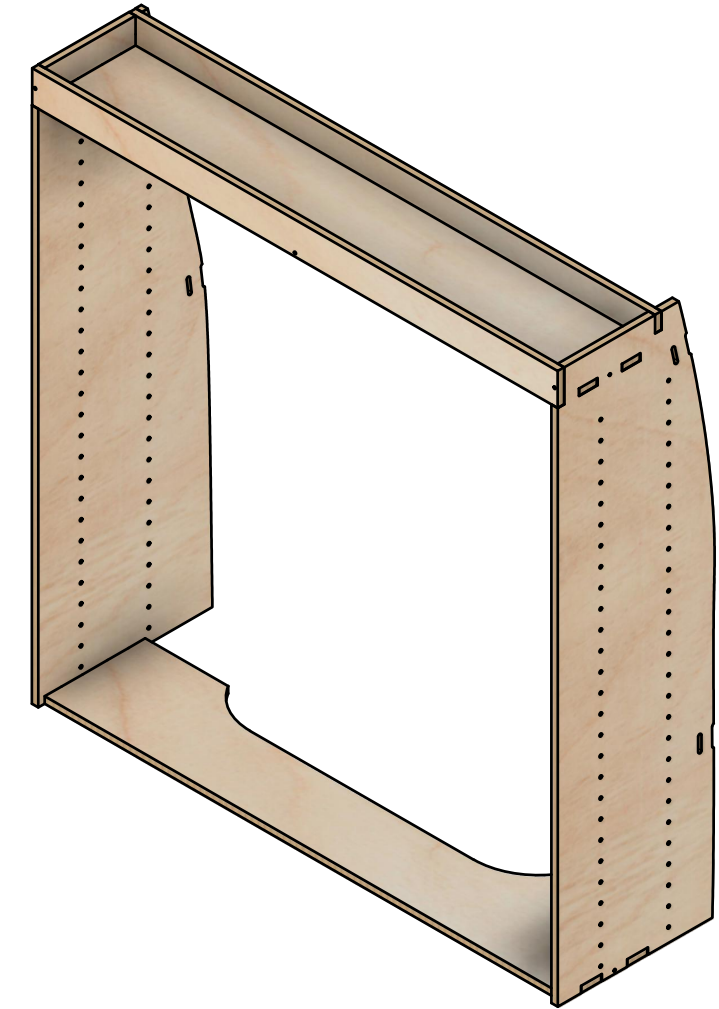
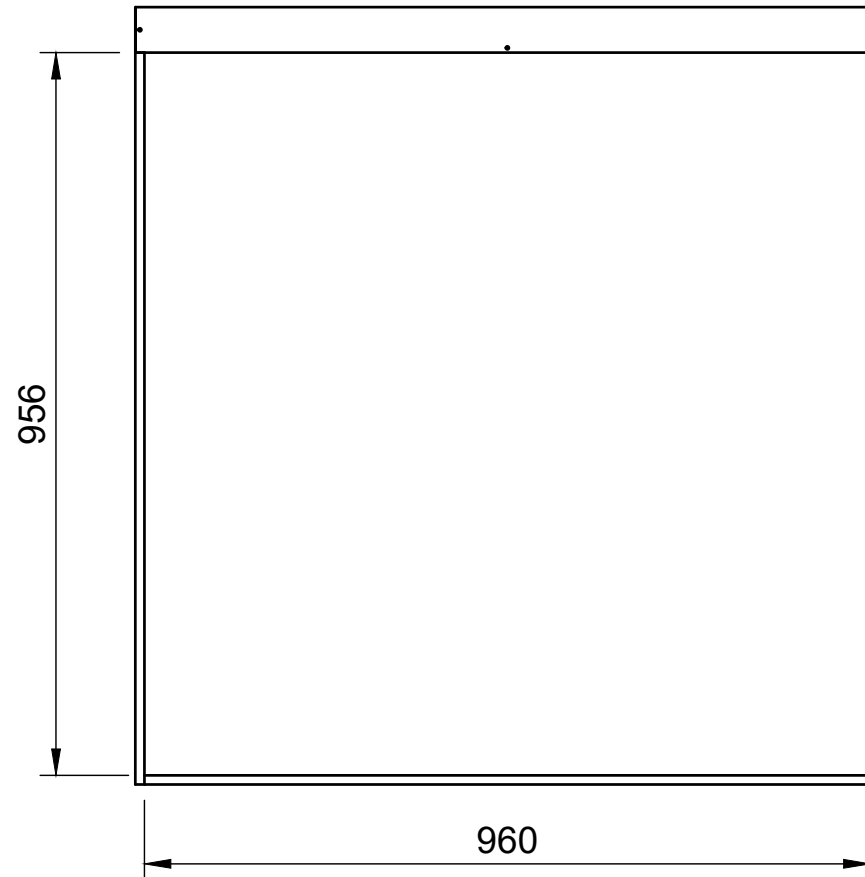
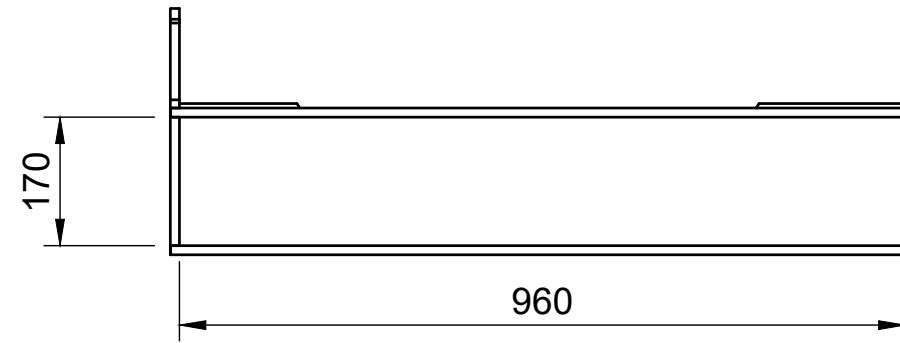
- All dimensions on this page are external.

YOKE VANS
info@yoke-van-kits.co.uk
0208 132 9221

© 2023 Yoke CNC LTD

Organiser No.3 | FLFF 272mm

SKU: FDCU_13_L1H1_OG3_PSL_F272



Page 3 - Internal Dimensions

All units in mm

Plywood thickness = 12mm

Notes

- All dimensions on this page are internal.

YOKE VANS
info@yoke-van-kits.co.uk
0208 132 9221

© 2023 Yoke CNC LTD