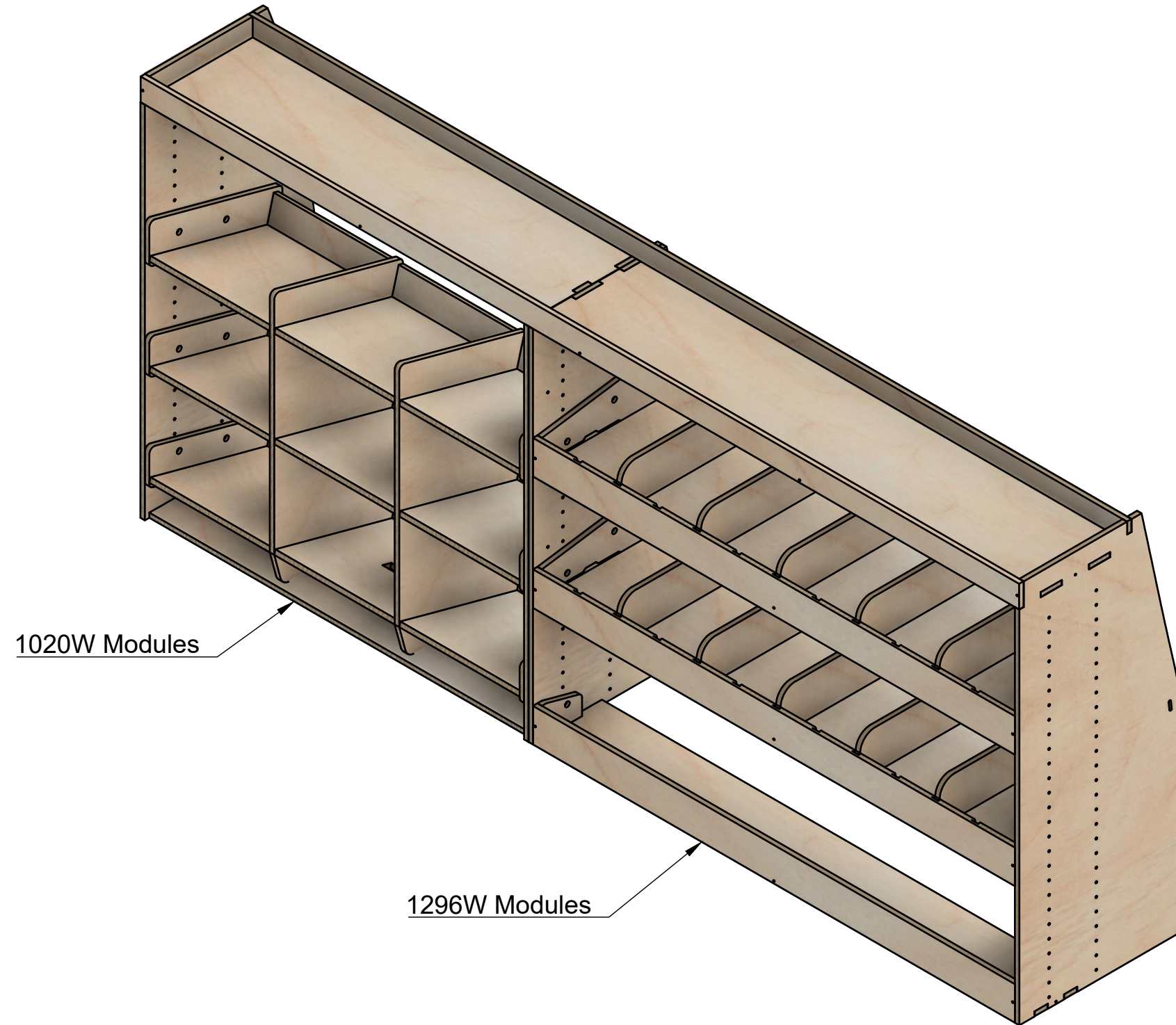


Combo No.7 | FF 272mm

SKU: FDCU_13_L2H1_C7_FF272



Page 1 - Overview

All units in mm

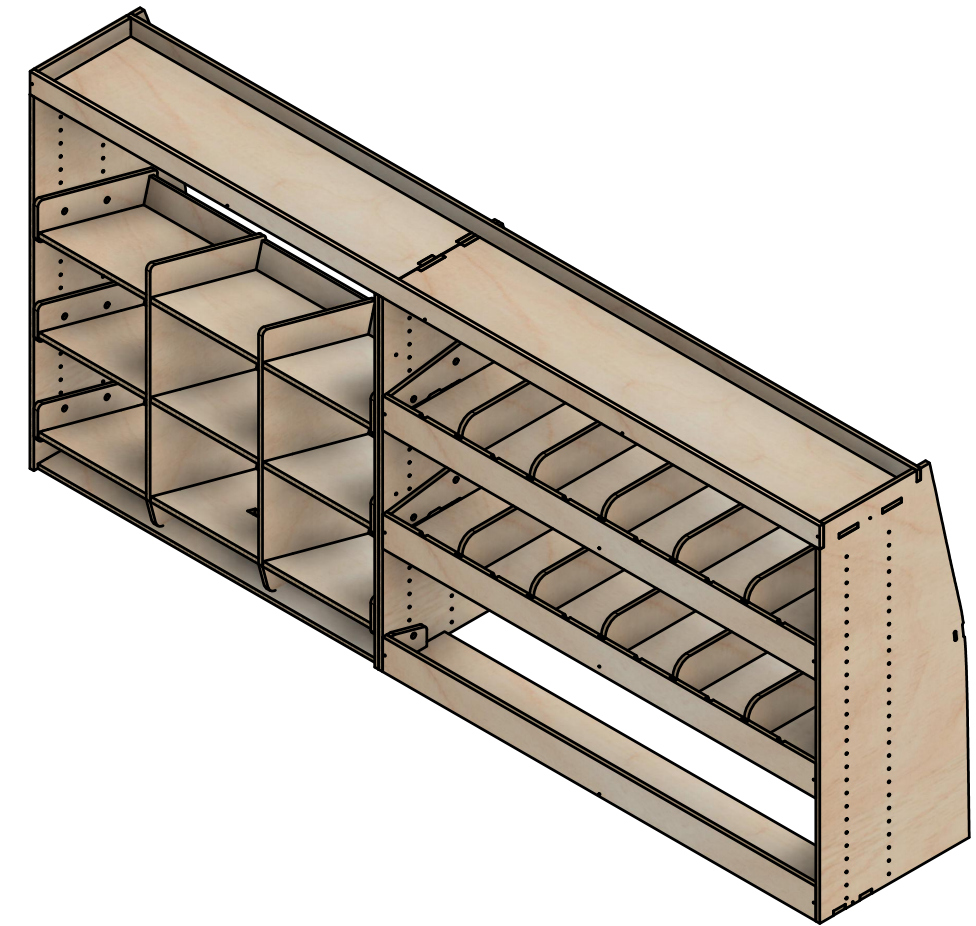
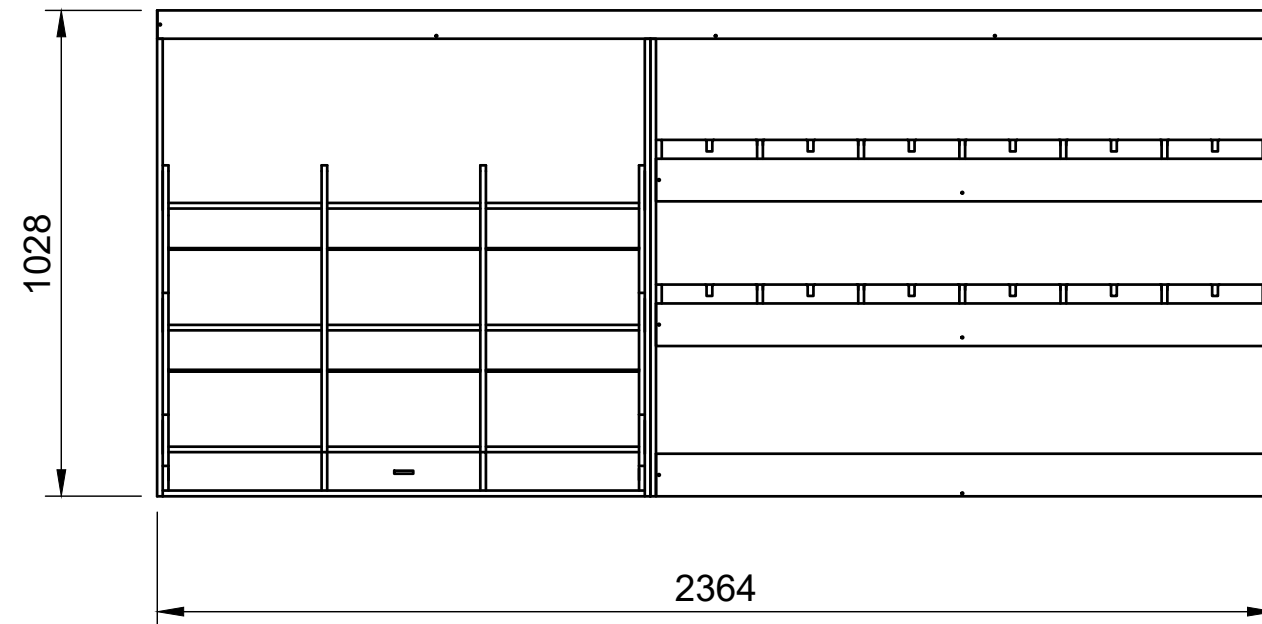
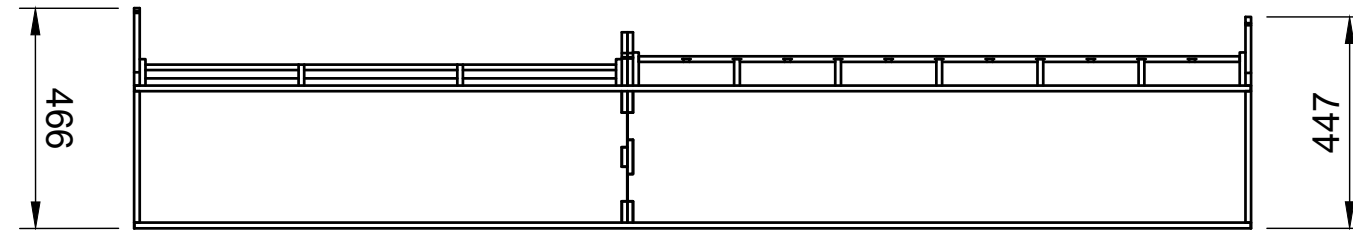
Plywood thickness = 12mm

Notes

- Designed to fit on top of a 272 high false floor.

Combo No.7 | FF 272mm

SKU: FDCU_13_L2H1_C7_FF272



Page 2 - External Dimensions

All units in mm

Plywood thickness = 12mm

Notes

- All dimensions on this page are external.

YOKE VANS

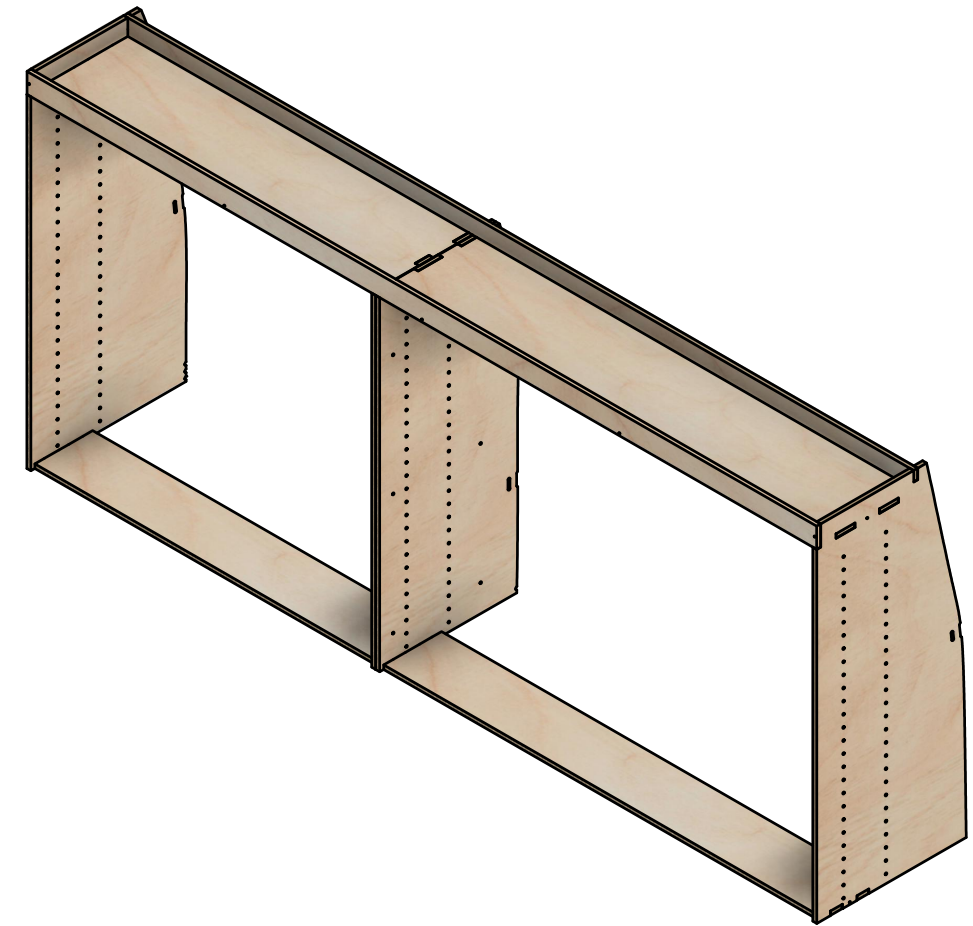
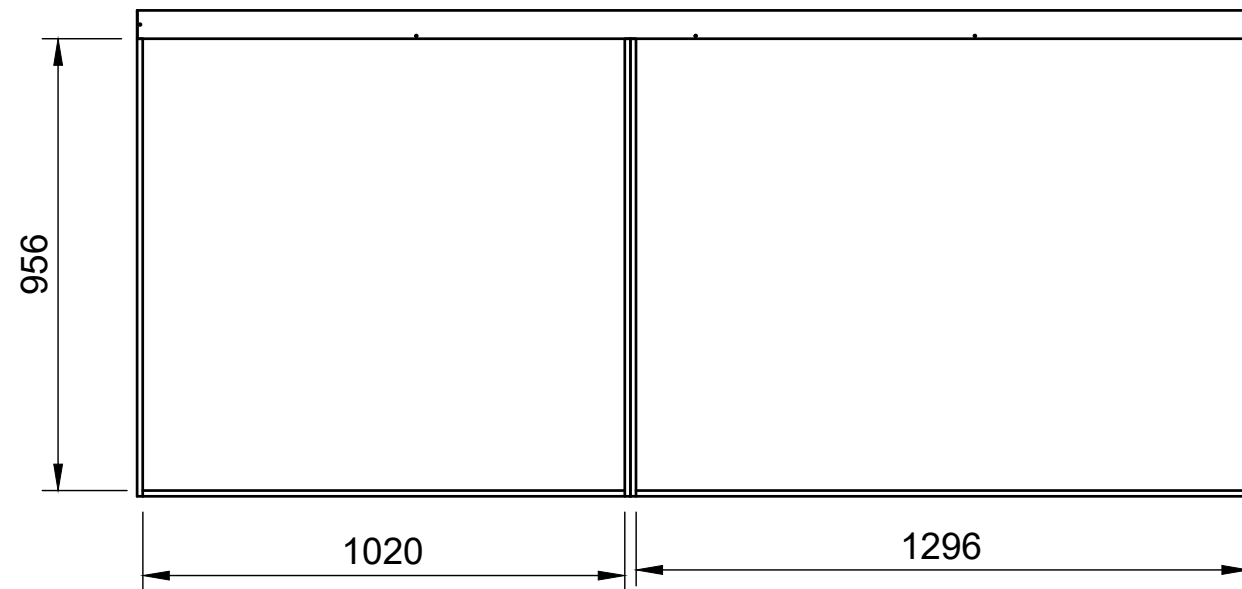
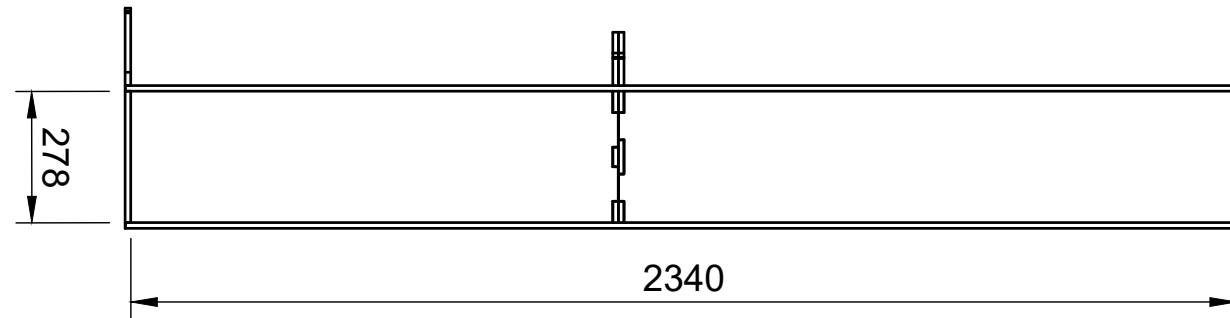
info@yoke-van-kits.co.uk

0208 132 9221

© 2023 Yoke CNC LTD

Combo No.7 | FF 272mm

SKU: FDCU_13_L2H1_C7_FF272



Page 3 - Internal Dimensions

All units in mm

Plywood thickness = 12mm

Notes

- All dimensions on this page are internal.

YOKE VANS

info@yoke-van-kits.co.uk

0208 132 9221

© 2023 Yoke CNC LTD