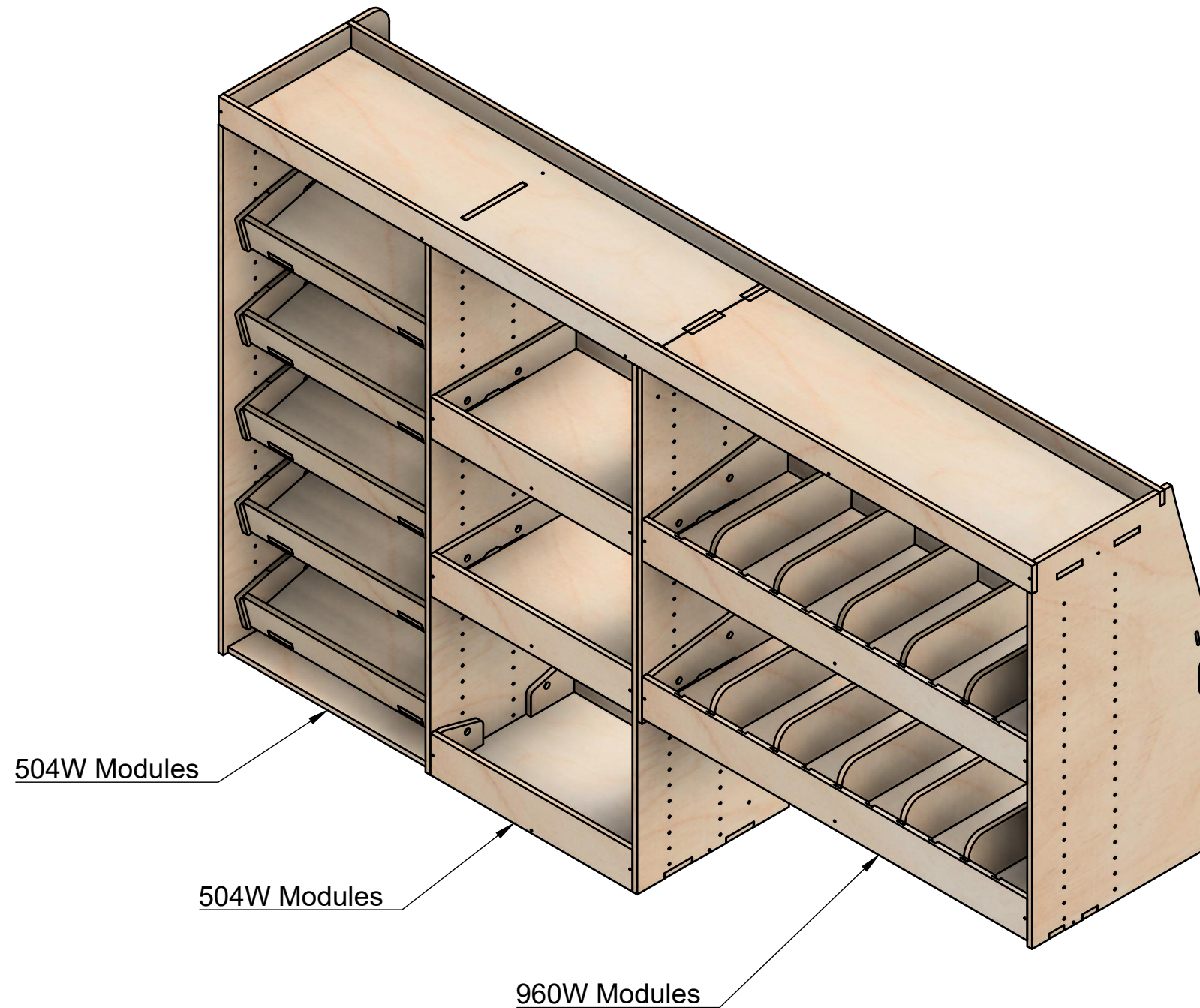


Citroen Dispatch | 2016on | L2H1 (MWB) | Panel Van  
Peugeot Expert | 2016on | L2H1 (MWB) | Panel Van  
Toyota Proace | 2016on | L2H1 (MWB) | Panel Van  
Vauxhall Vivaro | 2019on | L1H1 (SWB) | Panel Van

## Combo No.1 | HFFF 374mm

SKU: EDP\_16\_L1-2\_C1\_FH374



### Page 1 - Overview

All units in mm

Plywood thickness = 12mm

#### Notes

- All modules have up/down adjustability.
- Slanted modules can face inwards or outwards.
- Bare bones modules are accessible from either side.
- All Organiser module dividers are removable/adjustable.

**YOKE VANS**

info@yoke-van-kits.co.uk

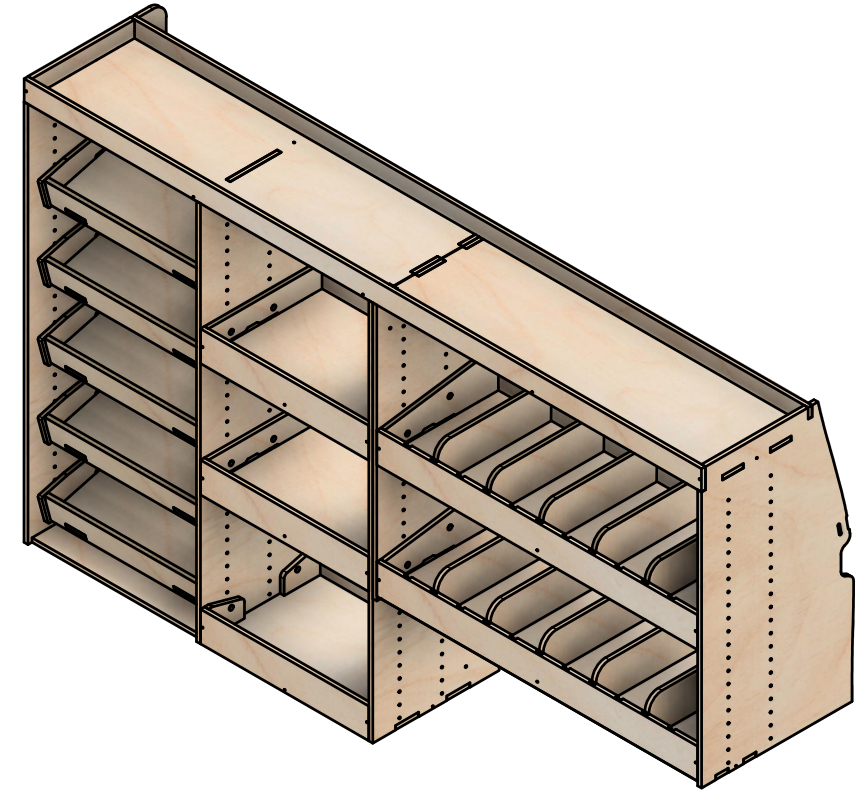
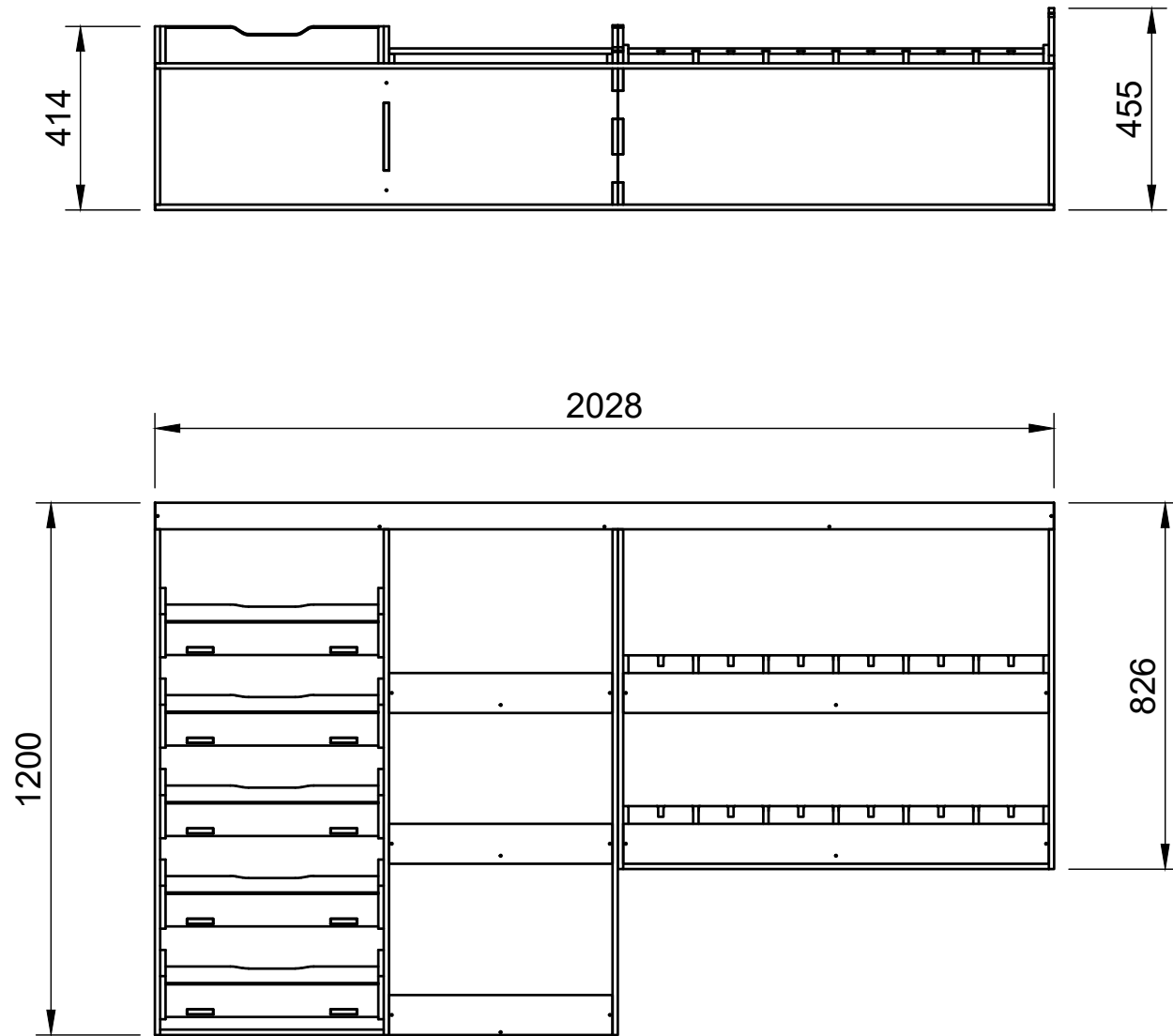
0208 132 9221

© 2023 Yoke CNC LTD

Citroen Dispatch | 2016on | L2H1 (MWB) | Panel Van  
Peugeot Expert | 2016on | L2H1 (MWB) | Panel Van  
Toyota Proace | 2016on | L2H1 (MWB) | Panel Van  
Vauxhall Vivaro | 2019on | L1H1 (SWB) | Panel Van

## Combo No.1 | HFFF 374mm

SKU: EDP\_16\_L1-2\_C1\_FH374



### Page 2 - External Dimensions

All units in mm

Plywood thickness = 12mm

#### Notes

- All dimensions on this page are external.

**YOKE VANS**

info@yoke-van-kits.co.uk

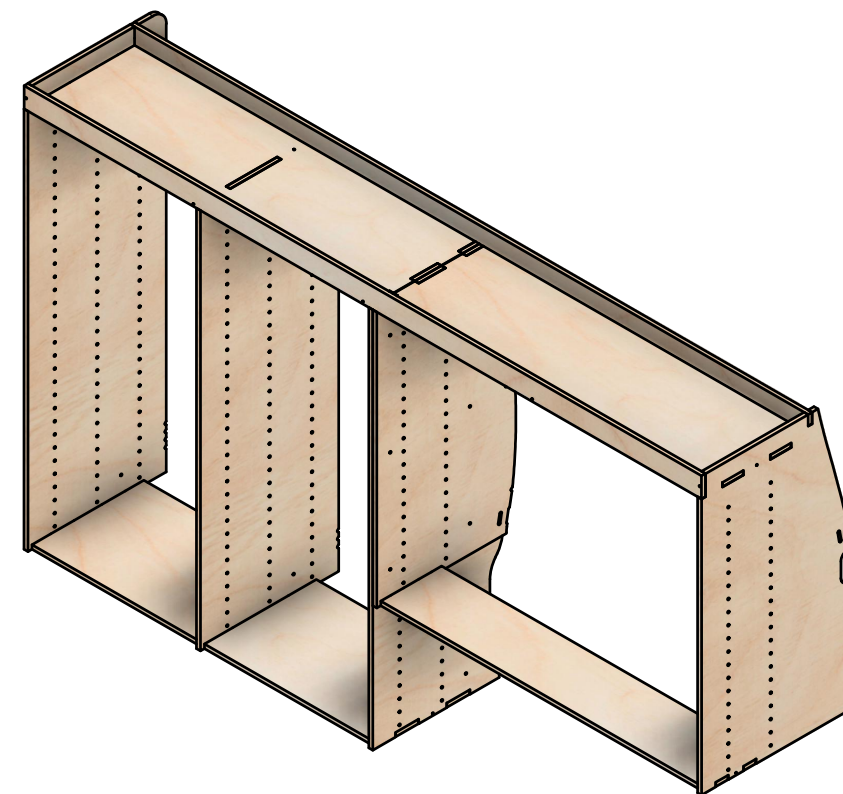
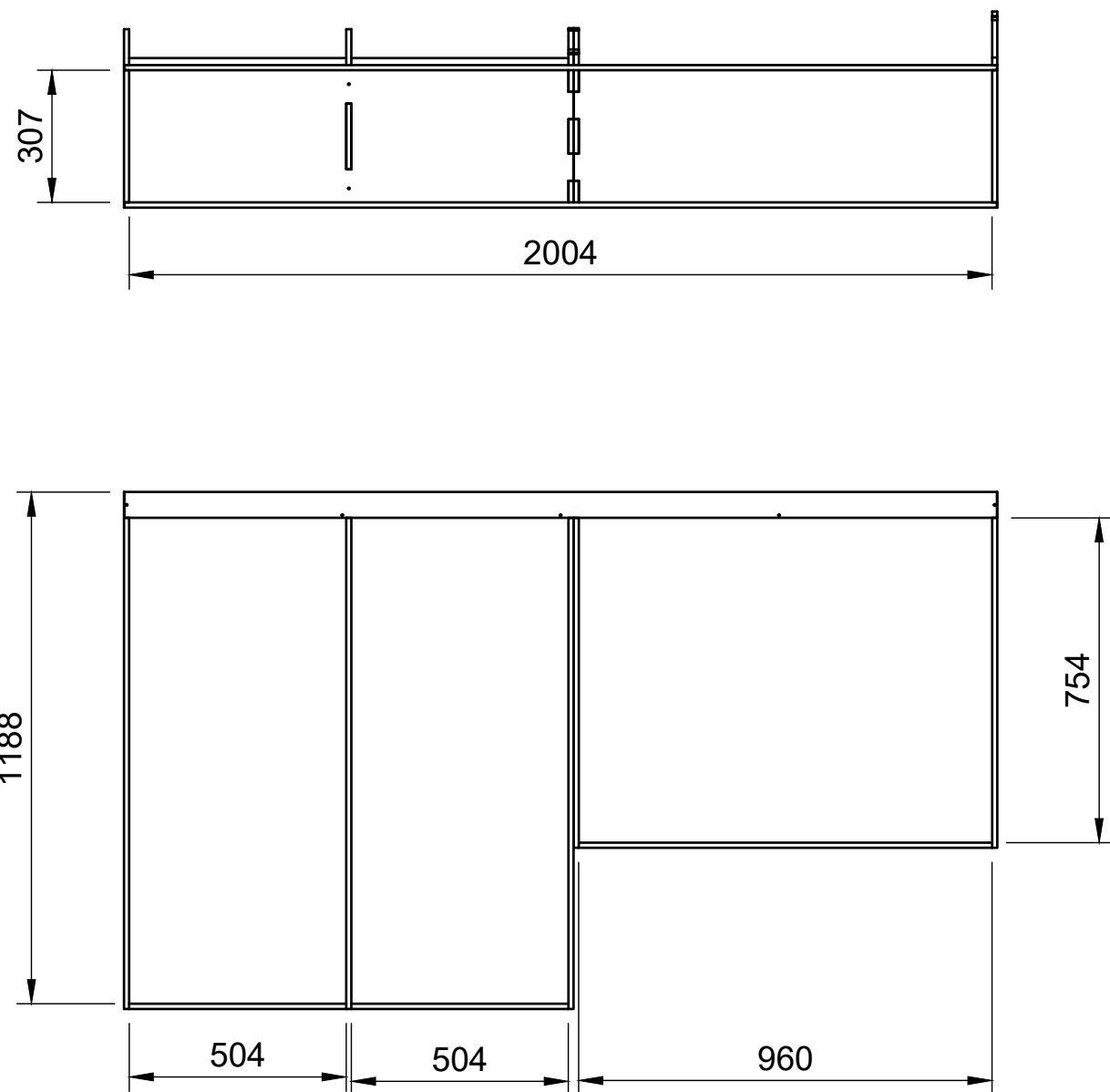
0208 132 9221

© 2023 Yoke CNC LTD

Citroen Dispatch | 2016on | L2H1 (MWB) | Panel Van  
Peugeot Expert | 2016on | L2H1 (MWB) | Panel Van  
Toyota Proace | 2016on | L2H1 (MWB) | Panel Van  
Vauxhall Vivaro | 2019on | L1H1 (SWB) | Panel Van

## Combo No.1 | HFFF 374mm

SKU: EDP\_16\_L1-2\_C1\_FH374



### Page 3 - Internal Dimensions

All units in mm

Plywood thickness = 12mm

#### Notes

- All dimensions on this page are internal.

**YOKE VANS**  
info@yoke-van-kits.co.uk  
0208 132 9221

© 2023 Yoke CNC LTD