



Yoke Vans.

Racking Unit Installation Guide

This guide will assist you with the process of installing your van racking to your van. This is intended as a helpful guide. It is up to you to ensure the racking is secured properly with adequate fixings determined by the use.

Contents

Fixings & Fittings	4
Upright Fixing	6
Base Fixing	8

Fixings & Fittings

There are a number of ways to fix plywood van racking to your van. We provide some recommended fixings & fittings that balance ease of installation with strength.

Before starting, read through this guide and then determine if you will need to use additional fasteners such as rivnuts to strengthen the fixing to your vehicle.

Required tools

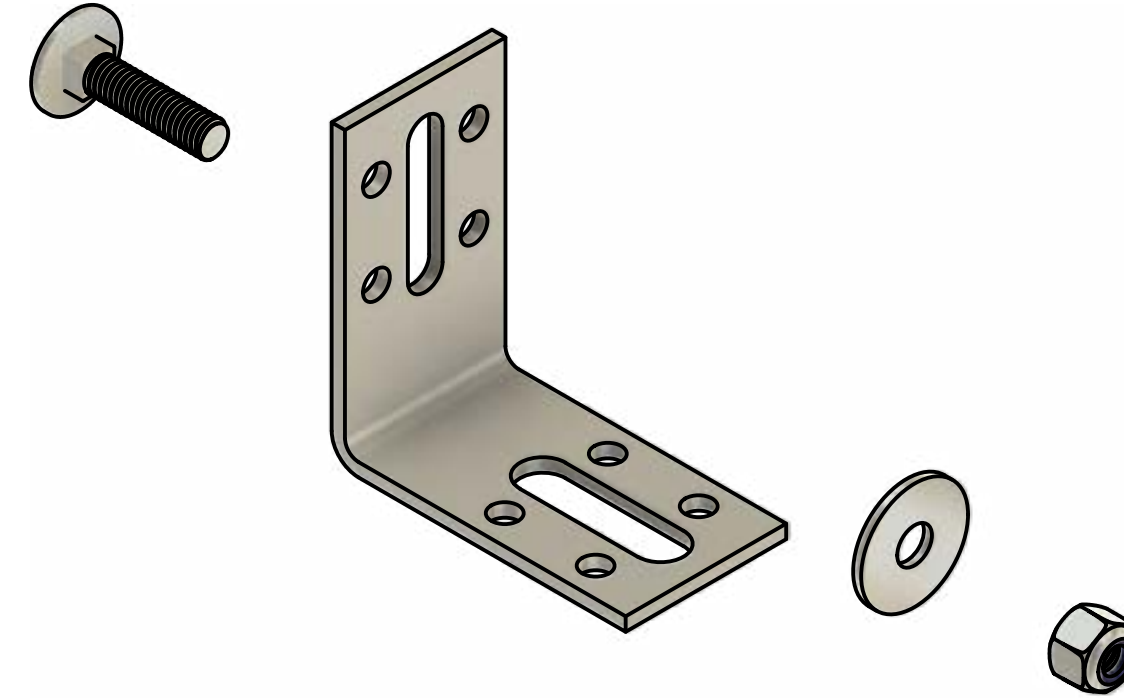
- Impact Driver
- PZ2 Drive Bit
- 10mm Hex Socket or Spanner

Good practice

- Fix to the inner metalwork of the van. Avoid piercing the outer shell on the sides & roof.
- Know where you are fixing to first. If unsure, remove your ply lining to reveal the metal structure.

Tips

- Avoid over-spinning screws into the metal work. This can strip the thread.
- Rivnuts can be used where additional strength is required.
- After fixing, firmly push & pull the racking to check for any movement. Add fixings where required.
- Regularly check for movement and check the fixings throughout the life of the racking. Adjust/replace as necessary.



Brackets, Bolts, Nuts & Washers

There are a number of brackets, bolts, washers & nuts included with each racking. These are to be used to fix the uprights of the racking units to the metal structure of the van.



Flange Head Self-Tapping Screws

There are a number of self-tapping flange head screws. These can be used for fixing the brackets to the vehicle structure as well as securing the racking base.

Upright Fixing

The uprights should be securely fixed to the metal structure of your van, typically hidden behind a ply lining. You can use the included angle brackets to fix the racking units to your vehicle.

Most racking units will come with pre-machined slots that can be used to bolt the brackets to your uprights. These slots are machined into recommended positions. However, it is for you to ensure a proper and secure fixing.

Important Information

There are indents on the rear of the upright that allow the bracket to go behind the upright in certain cases.

Always make sure you are getting a good fixing to the metal structure of your van.

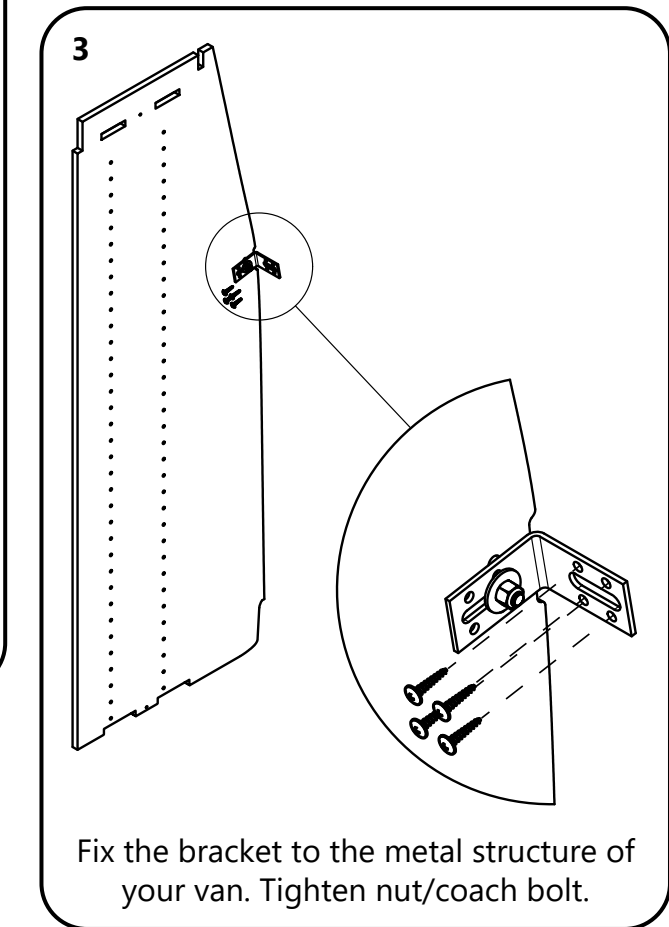
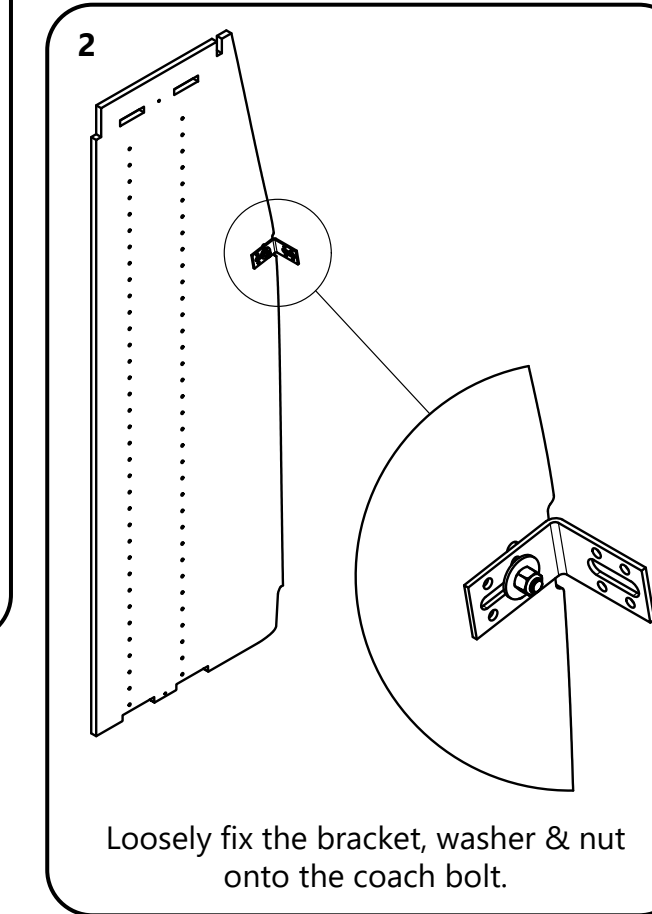
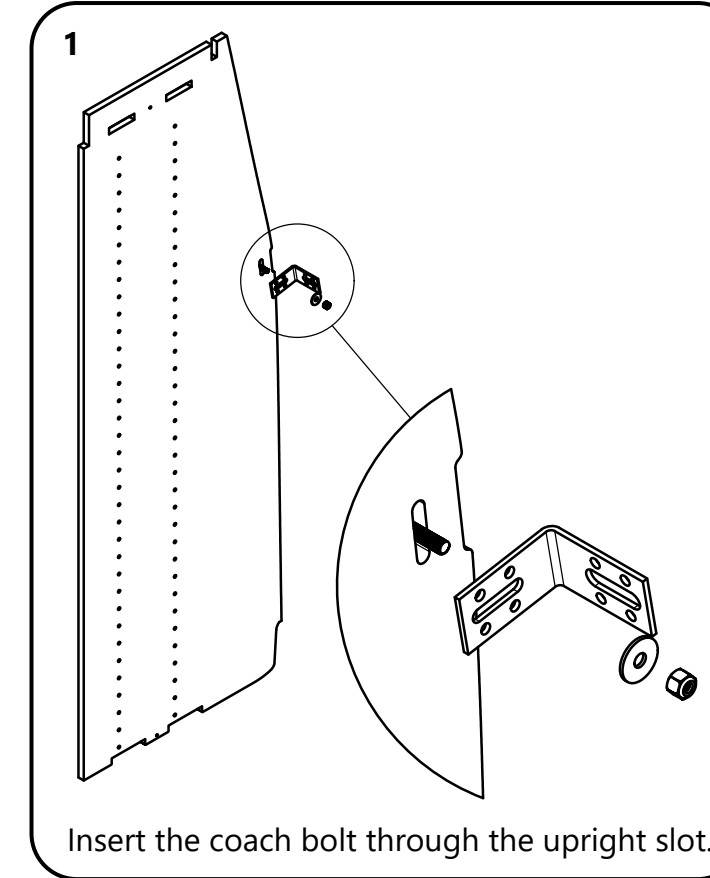
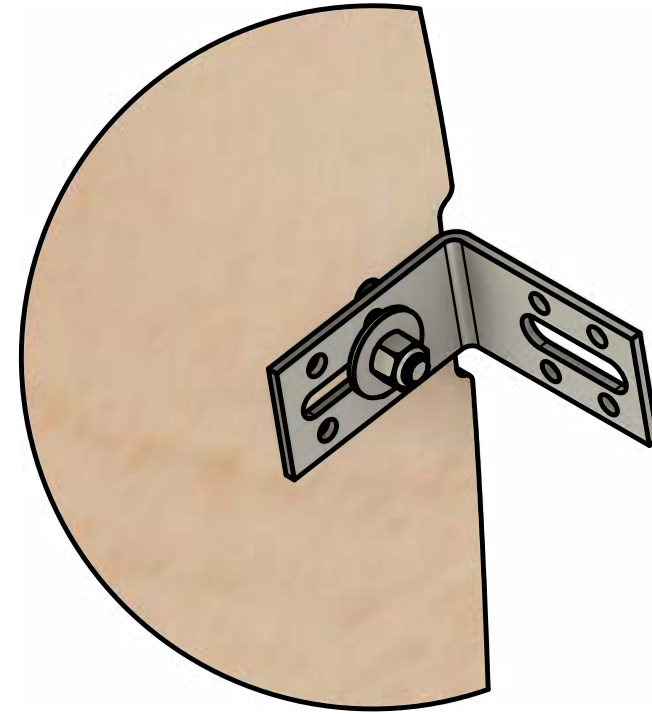
We provide flange head self tappers for ease but a more secure fixing would be to use rivnuts into the metal & secure it using bolts.

Always thoroughly check the rack for any movement after installation and add fixings as necessary.

Ensure the uprights are fixed to the metal frame work.

Utilise all of the screw holes.

Do not over-spin the fixings.



Base Fixing

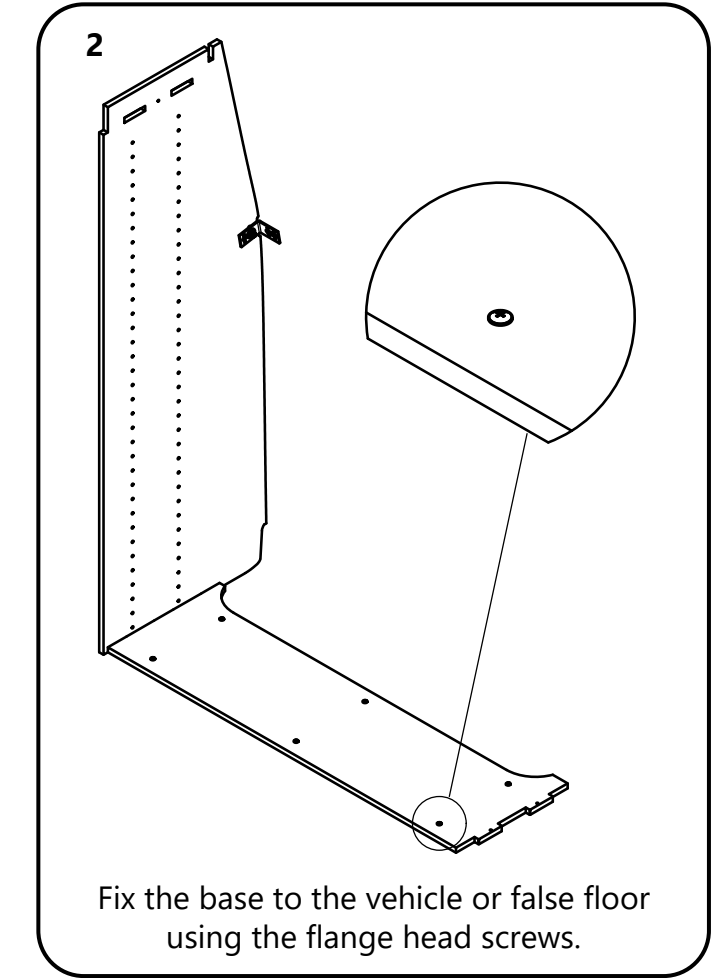
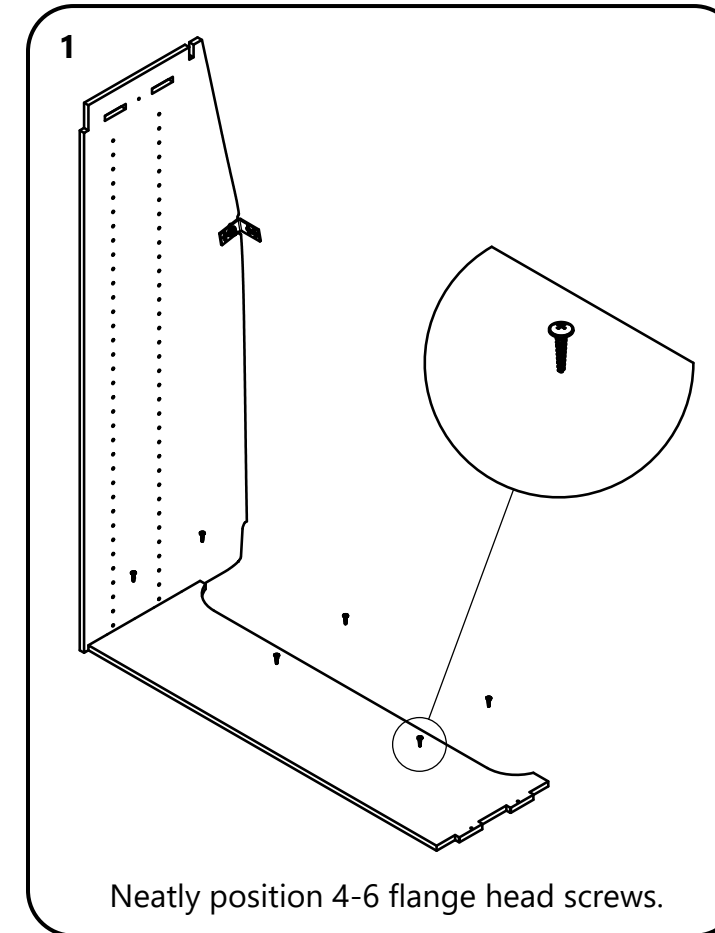
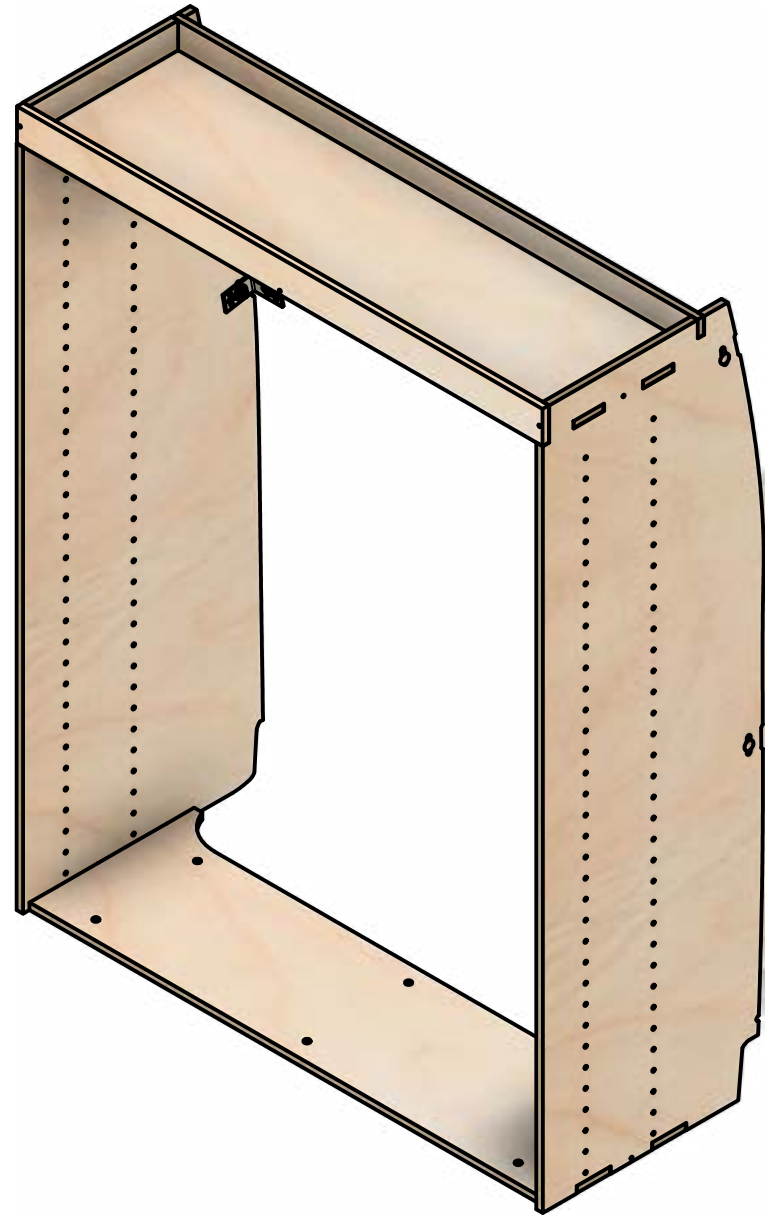
The base of your rack should be securely fixed to the floor of the vehicle or the top of a false floor.

You can use a number of fixings to do this. We include flange head self-tapping screws. Use this to fix to the floor ply line/metal floor.

Important Information

You should ensure the length of the fixing is correct. Do not use a fixing that is too long and will damage anything underneath the vehicle.

A more secure fixing can be achieved by fixing to the metal floor rather than just the floor ply lining.



Yoke Vans

info@yoke-van-kits.co.uk

020 8132 9221