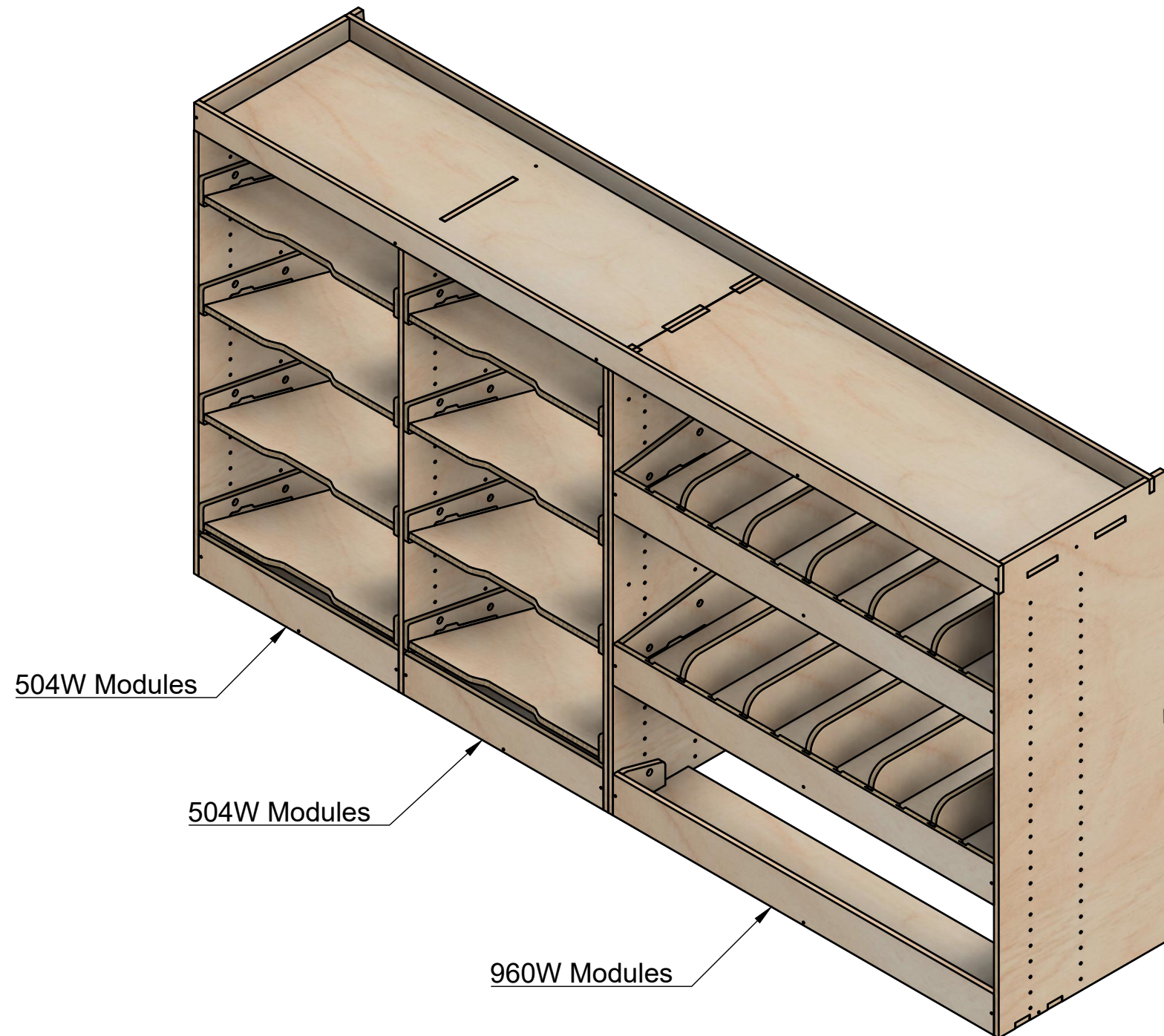


Renault Trafic | 2014on | L1H1 (SWB) | Panel Van  
Vauxhall Vivaro | 2014-19 | L1H1 (SWB) | Panel Van  
Nissan NV300 | 2016on | L1H1 (SWB) | Panel Van  
Fiat Talento | 2016-20 | L1H1 (SWB) | Panel Van

## Combo No.4 | FF 272mm

SKU: TVN\_14\_L1\_C4\_FF272



### Page 1 - Overview

All units in mm

Plywood thickness = 12mm

#### Notes

- Designed to sit on top of a 272mm high false floor.

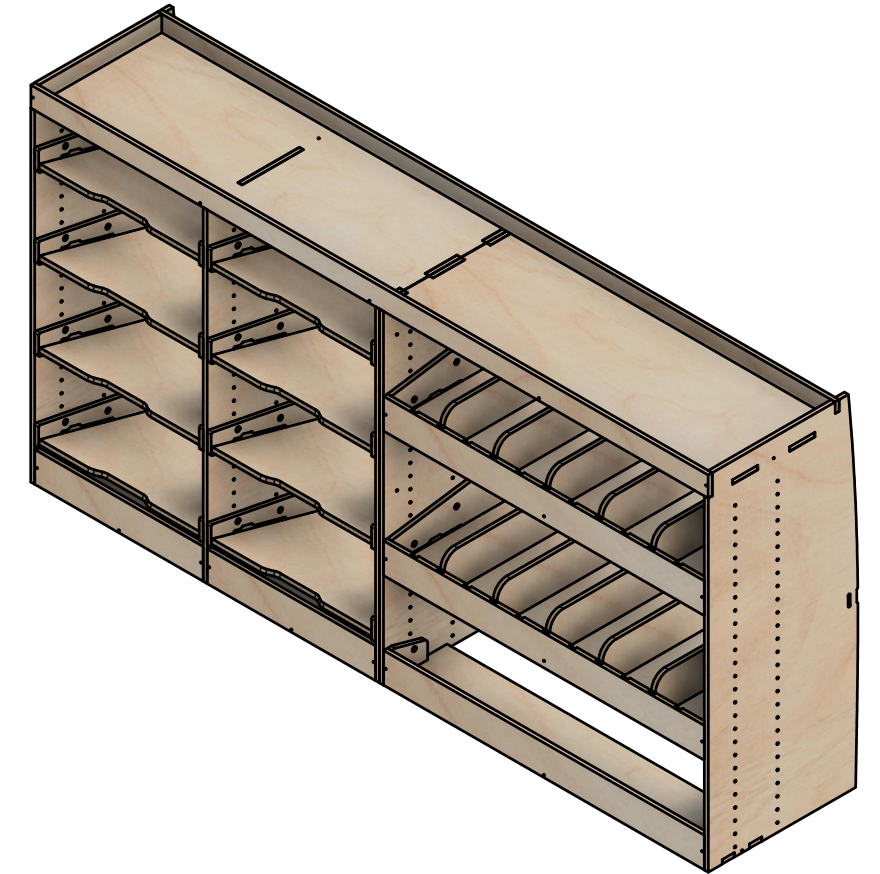
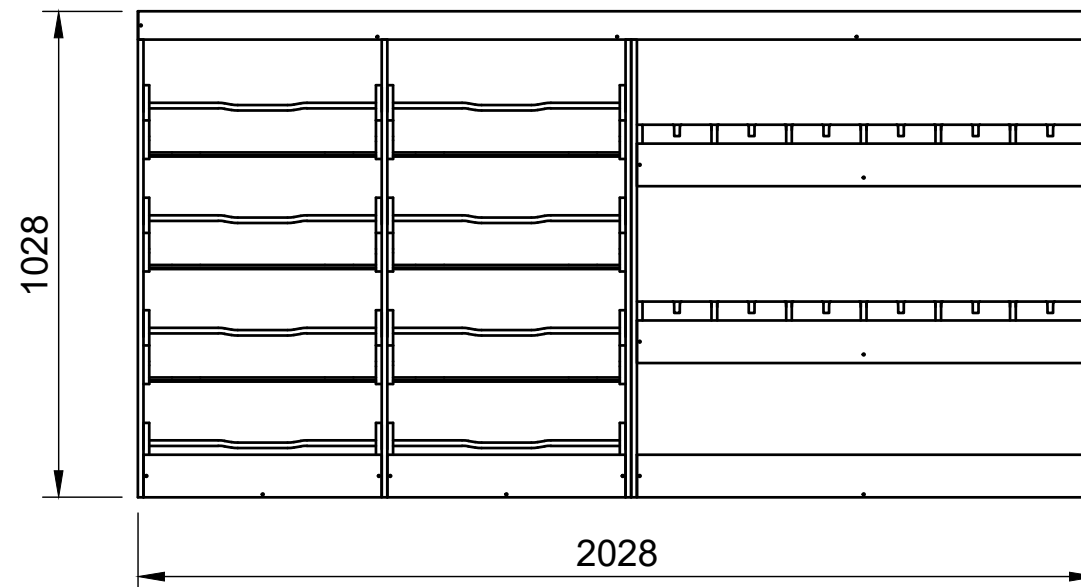
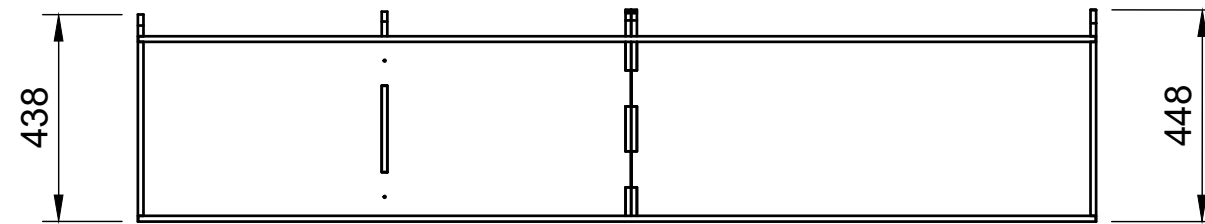
**YOKE VANS**  
info@yoke-van-kits.co.uk  
0208 132 9221

© 2023 Yoke CNC LTD

Renault Trafic | 2014on | L1H1 (SWB) | Panel Van  
Vauxhall Vivaro | 2014-19 | L1H1 (SWB) | Panel Van  
Nissan NV300 | 2016on | L1H1 (SWB) | Panel Van  
Fiat Talento | 2016-20 | L1H1 (SWB) | Panel Van

## Combo No.4 | FF 272mm

SKU: TVN\_14\_L1\_C4\_FF272



### Page 2 - External Dimensions

All units in mm

Plywood thickness = 12mm

#### Notes

- All dimensions on this page are external.

**YOKE VANS**

info@yoke-van-kits.co.uk

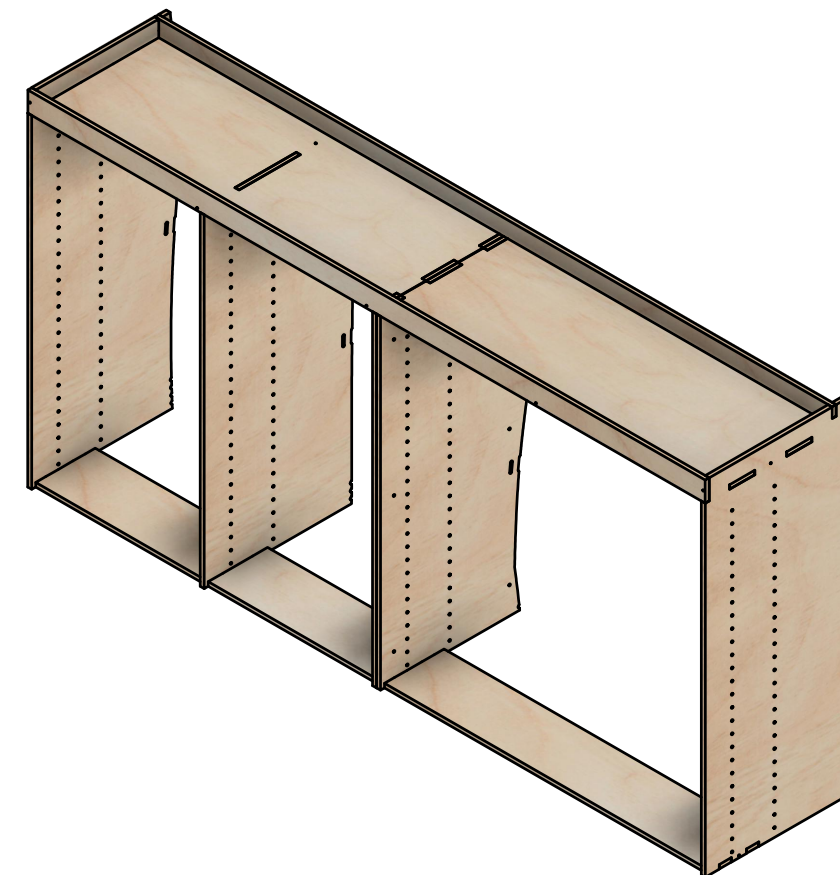
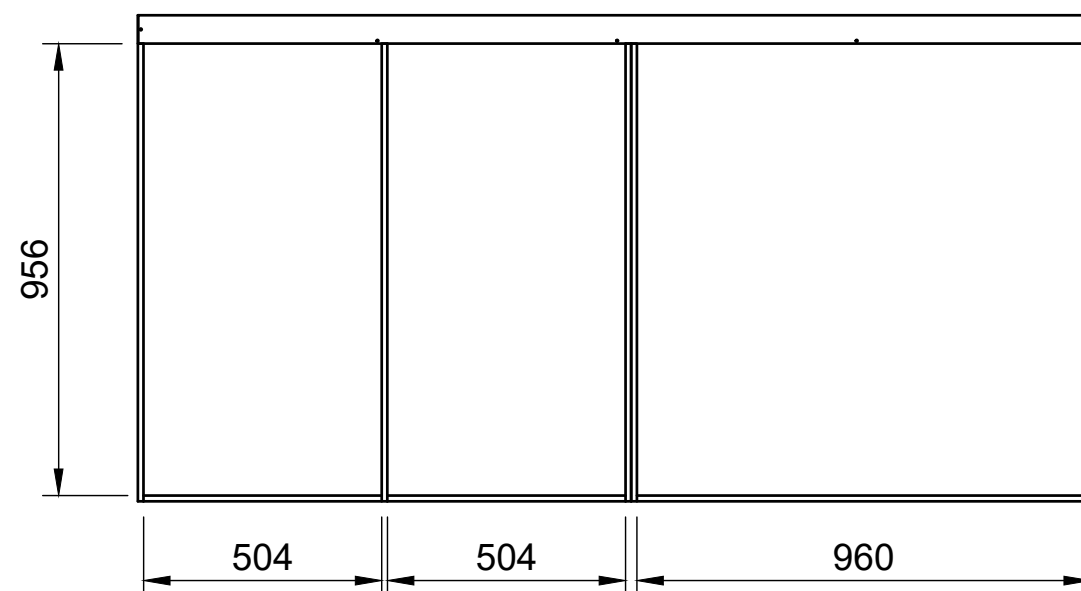
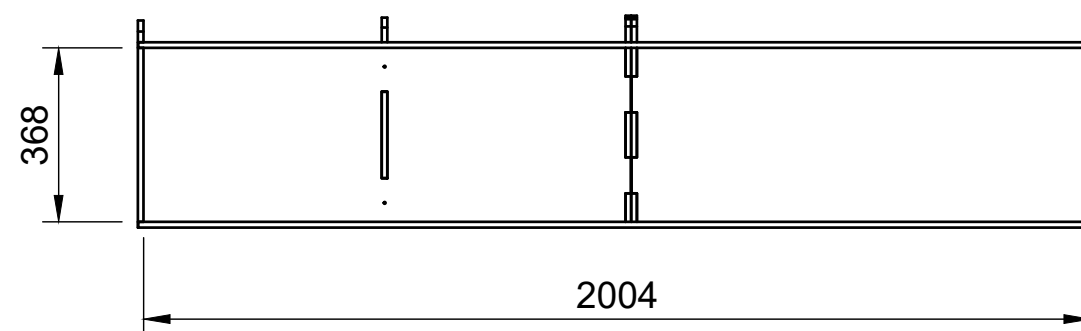
0208 132 9221

© 2023 Yoke CNC LTD

Renault Trafic | 2014on | L1H1 (SWB) | Panel Van  
Vauxhall Vivaro | 2014-19 | L1H1 (SWB) | Panel Van  
Nissan NV300 | 2016on | L1H1 (SWB) | Panel Van  
Fiat Talento | 2016-20 | L1H1 (SWB) | Panel Van

## Combo No.4 | FF 272mm

SKU: TVN\_14\_L1\_C4\_FF272



### Page 3 - Internal Dimensions

All units in mm

Plywood thickness = 12mm

#### Notes

- Point A
- Point B
- Point C

**YOKE VANS**  
info@yoke-van-kits.co.uk  
0208 132 9221

© 2023 Yoke CNC LTD