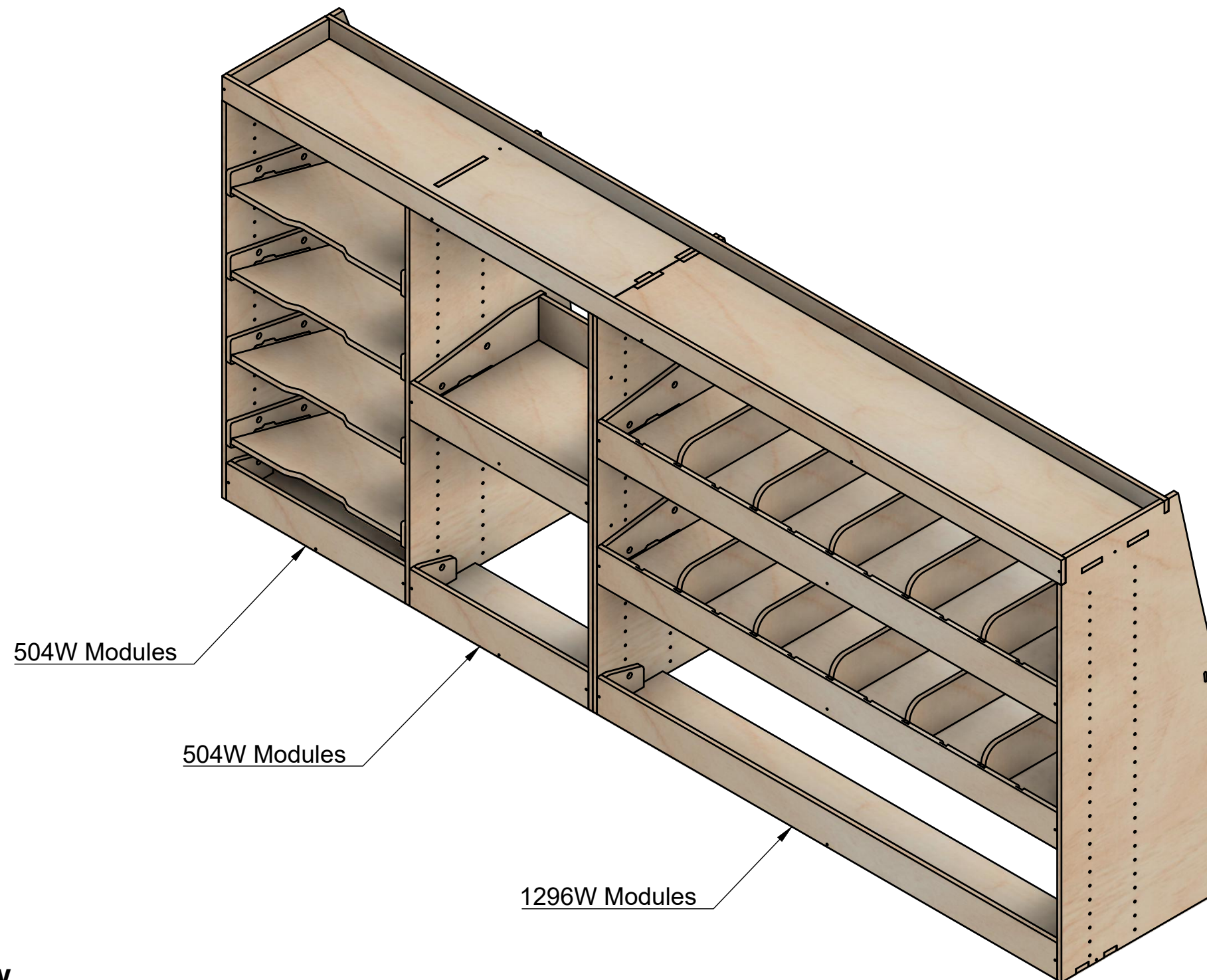


Combo No.1 | FF 272mm

SKU: FDCU_13_L2H1_C1_FF272



Page 1 - Overview

All units in mm

Plywood thickness = 12mm

Notes

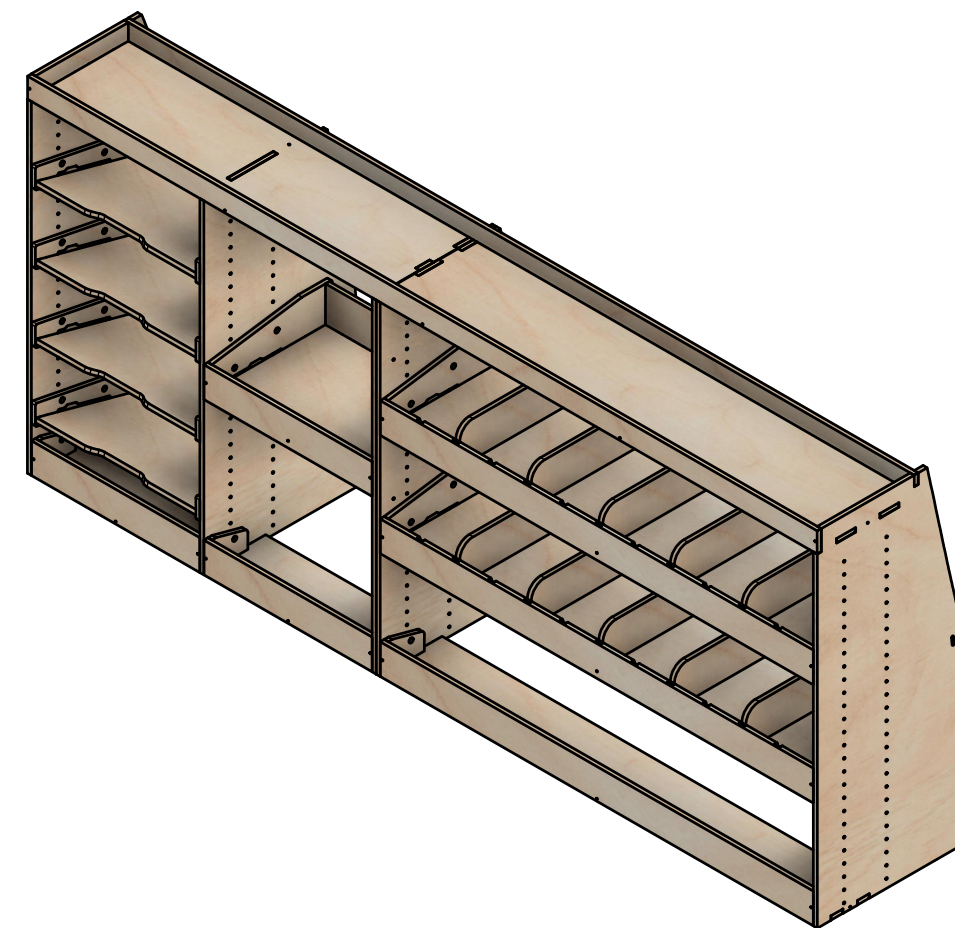
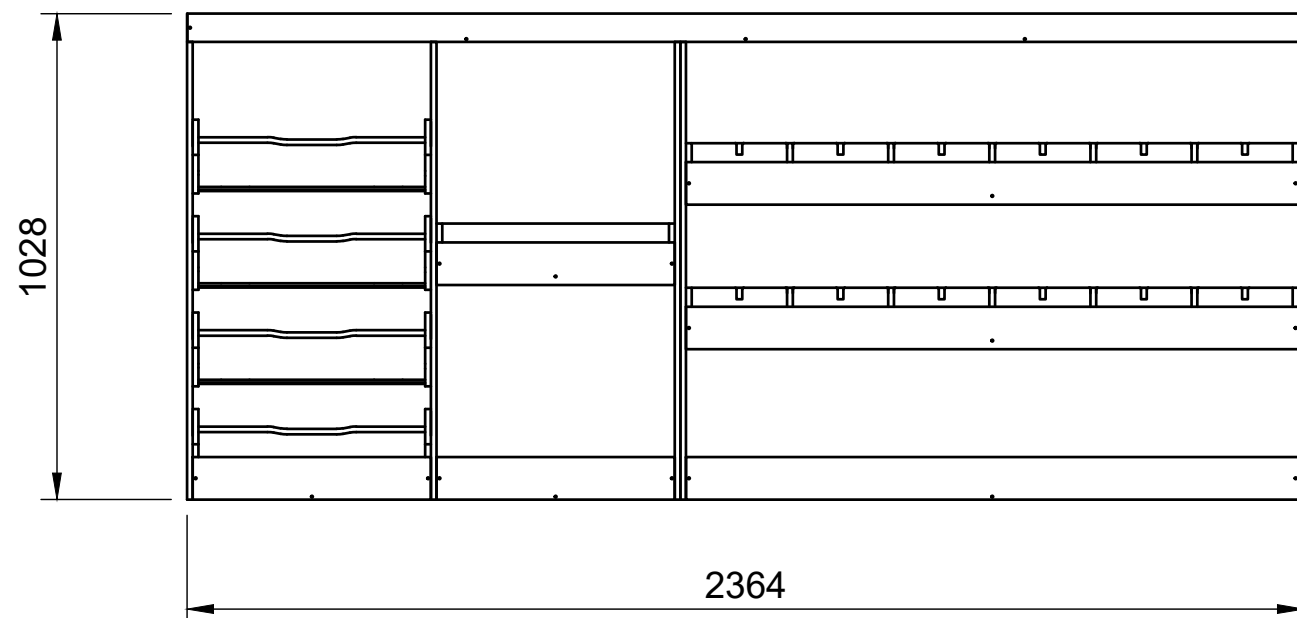
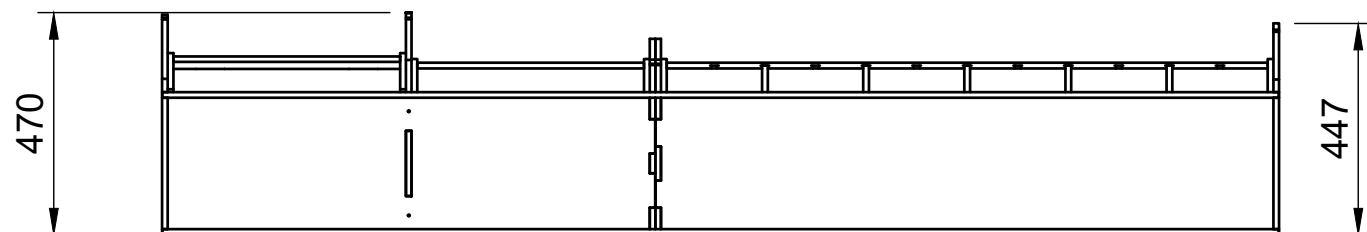
- Designed to fit on top of a 272mm high false floor.

YOKE VANS
info@yoke-van-kits.co.uk
0208 132 9221

© 2023 Yoke CNC LTD

Combo No.1 | FF 272mm

SKU: FDCU_13_L2H1_C1_FF272



Page 2 - External Dimensions

All units in mm

Plywood thickness = 12mm

Notes

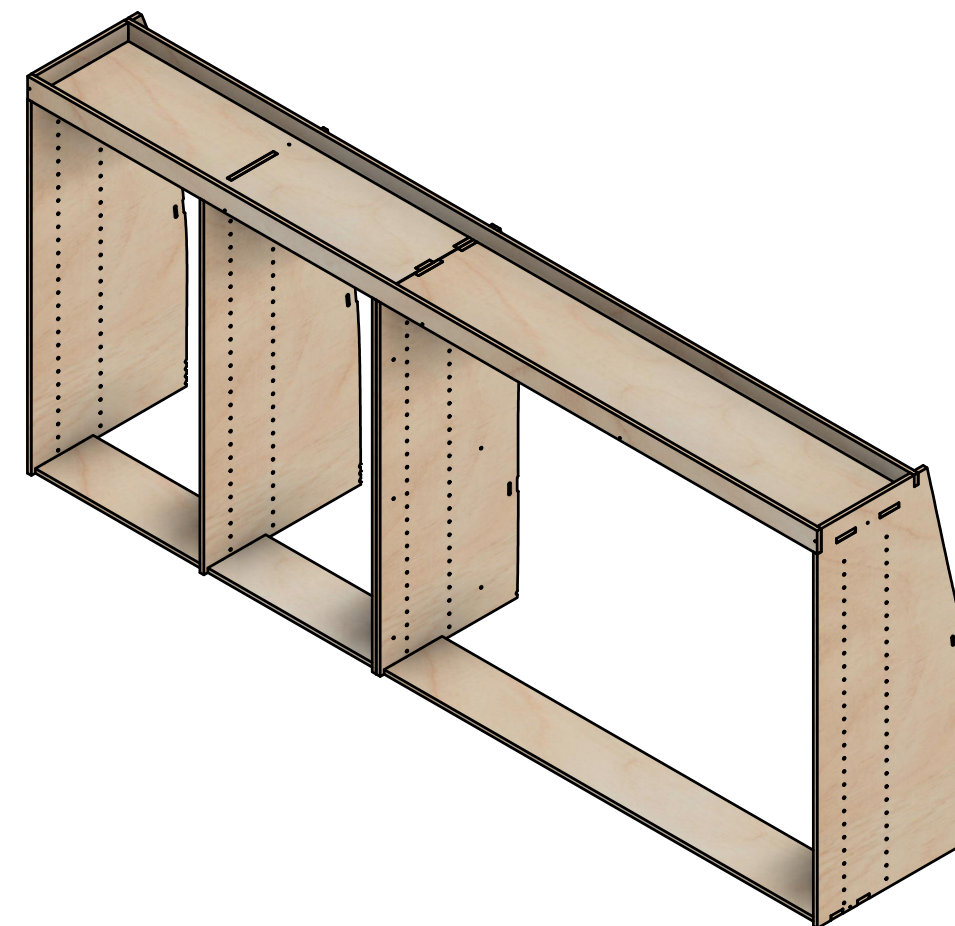
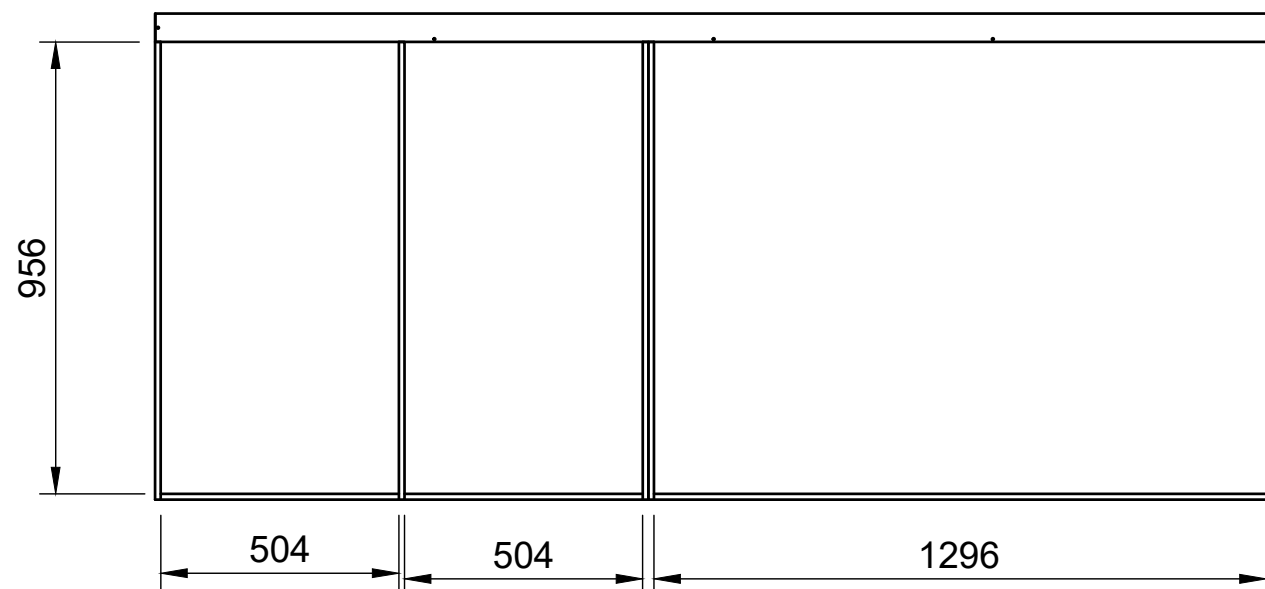
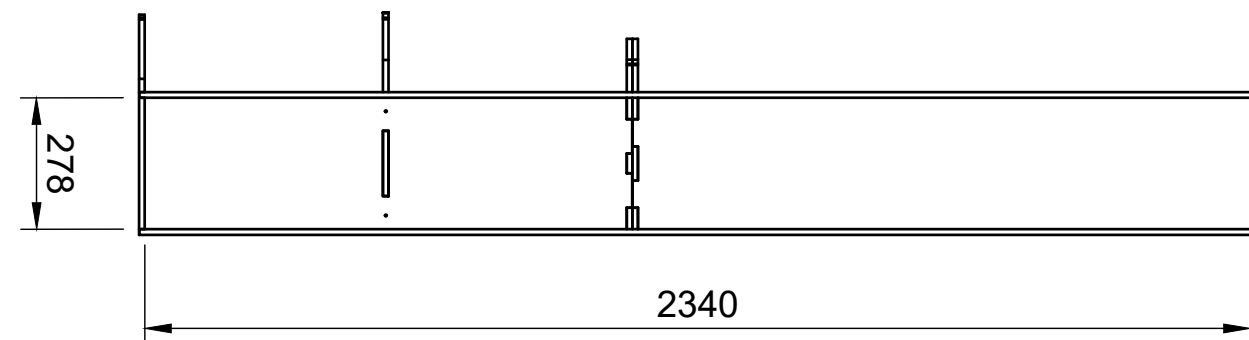
- All dimensions on this page are external.

YOKE VANS
info@yoke-van-kits.co.uk
0208 132 9221

© 2023 Yoke CNC LTD

Combo No.1 | FF 272mm

SKU: FDCU_13_L2H1_C1_FF272



Page 3 - Internal Dimensions

All units in mm

Plywood thickness = 12mm

Notes

- All dimensions on this page are internal.

YOKE VANS
info@yoke-van-kits.co.uk
0208 132 9221